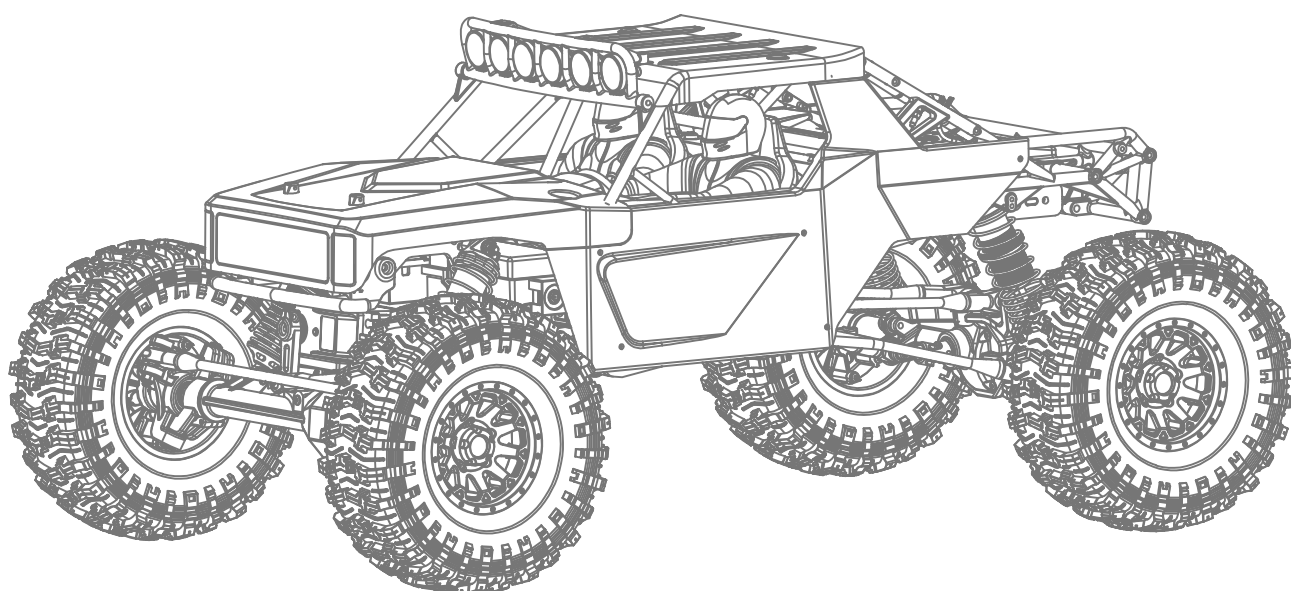


1/6四驱低重心攀爬车YK4061 说明书

1/6 Scale 4WD LCG Rock Crawler (YK4061) INSTRUCTION MANUAL



感谢您购买我们的产品！祝您玩的开心，为了获的最佳产品性能体验，请在使用前务必认真阅读说明书。

Thank you for your purchasing. Before operating this vehicle, please read manual materials thoroughly. This manual contains all the necessary set-up and operating procedures that allow you to unlock the performance.

目录	1
操作说明和注意事项	2~7
爆炸图	8~10
配件表	20~25

Table of Contents	1
Instructions and Precautions	2~7
Explode Diagram	8~10
Parts List	20~25

安全注意事项

SAFETY PRECAUTIONS AND WARNINGS

年龄建议：不适合14岁以下儿童。这不是玩具。

Age Recommendation: Not for children under 14 years. This is not a toy.

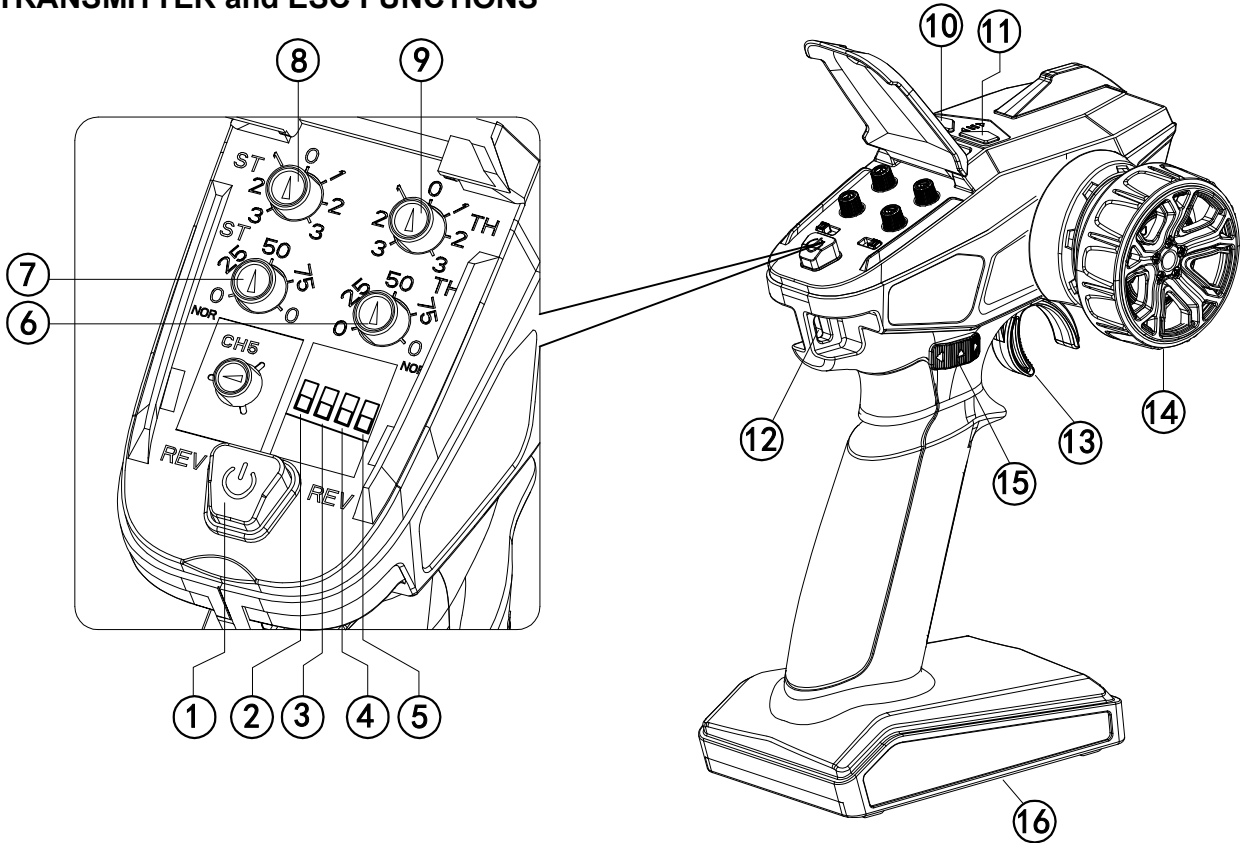
- 1) 严禁在公共场所或拥挤的地方操作模型车, 本产品不允许儿童在没有成人直接监督下使用。
Never operate the model in public places and the street or in populated areas for any reason. This product is not intended for use by children without direct adult supervision.
- 2) 严禁反接电池或拆解电池, 这是危险的, 并可能引起火灾。
Never reverse install the battery or disassemble the battery, which is dangerous and may cause a fire.
- 3) 本产品包含细小且锋利的零件, 请将任何化学品、小零件和电子设备放在儿童接触不到的地方。
This product contains small and sharp parts, keep all chemicals, small parts and anything electrical out of the reach of children.
- 4) 当不使用模型车时, 请先断开电源并把电池从车身移出。此外遥控器电源关闭后, 应取出电池以免漏液。
When not use the vehicle, power OFF the vehicle and then the transmitter. Unplug the battery and remove it from the vehicle. Also remove the transmitter battery to avoid leakage.
- 5) 请不要混用新旧或不同类型电池。
Please do not mix old and new batteries or different types of batteries.
- 6) 不要在遥控器电池电量低的情况下操作车子, 如果电池电量过低, 请更换电池。
Never operate your model with low transmitter batteries. Replace batteries when vehicle batteries are low.
- 7) 在开机状态下, 切勿拆卸遥控器电池。
Never remove the transmitter batteries while the model is powered ON.
- 8) 请根据当地有关规定, 妥善弃置或回收电池。
Dispose of used batteries according to national regulations.
- 9) 充电时, 请从模型车中取出电池, 如果电池变形, 请不要使用。
When charging the battery, please take out the battery from the vehicle. If the battery is deformed, please do not use it.
- 10) 电池应在成人监督下充电, 无人看管时请勿给电池充电。
The battery should be charged under adult supervision, do not charge the battery when unattended.
- 11) 遥控系统有各种不同功能和设置, 初次接触前请确保对所有功能设置完全理解, 未能正确操作可能导致产品损坏。
The radio system has different functions and settings, please read the entire manual to gain a full understanding of functions, failure to operate correctly could result in product malfunction and damage.

产品规格参数

PRODUCT SPECIFICATION:

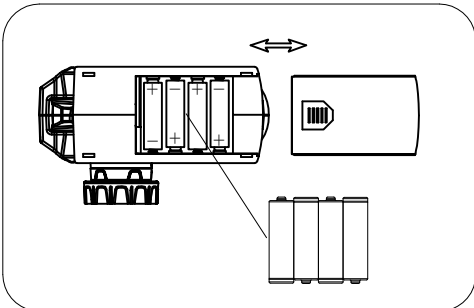
车长Length:	670MM
车宽Width:	400MM
车高Height :	295MM
轮胎Tire Diameter/Width:	180/70MM
轴距Wheelbase:	495MM
车重 Product Weight:	5.9KG
马达Motor/电调ESC:	Fusion 8IGHT 4S RTR / KV1800
电池仓尺寸Battery Box Size:	156*48MM
驱动方式Drivetrain:	全时四驱/4WD
车身结构Suspension:	前后直桥/Front and rear straight bridges
马达齿Pinion Gear:	15T
齿轮比Gear ratio:	1:79.75

遥控器和电调功能介绍 TRANSMITTER and ESC FUNCTIONS



- | | | |
|-----------------------------------|--------------------------------------|-------------------------------------------------|
| 1) 电源开关
Power Button | 7) 转向舵量旋钮
EPA for Steering | 13) 油门/刹车扳手 (2通)
Throttle/Brake Trigger(CH2) |
| 2) 1通正反切换开关
CH1 Reverse Switch | 8) 转向中位微调
ST Trim | 14) 转向轮 (1通)
Steering Wheel (CH1) |
| 3) 2通正反切换开关
CH2 Reverse Switch | 9) 油门中位微调
TH Trim | 15) 灯控开关
Lighting Control Button |
| 4) 3通正反切换开关
CH3 Reverse Switch | 10) 第3通道
Channel 3 | 16) 电池仓
Battery Installation |
| 5) 4通正反切换开关
CH4 Reverse Switch | 11) 第4通道-OD开关
Channel 4-OD Switch | |
| 6) 油门舵量旋钮
EPA for Throttle | 12) 挂绳孔
Lanyard hole | |

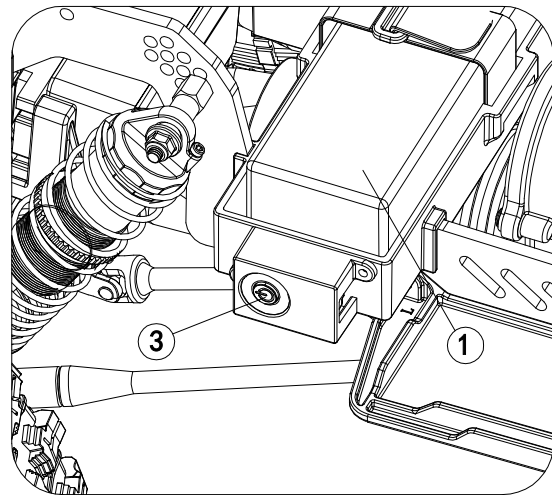
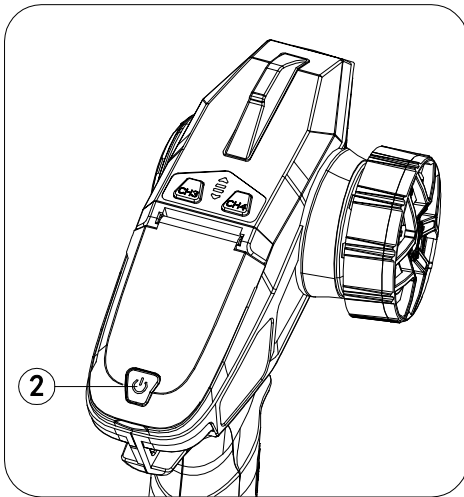
遥控器电池安装 INSTALLING THE TRANSMITTER BATTERIES



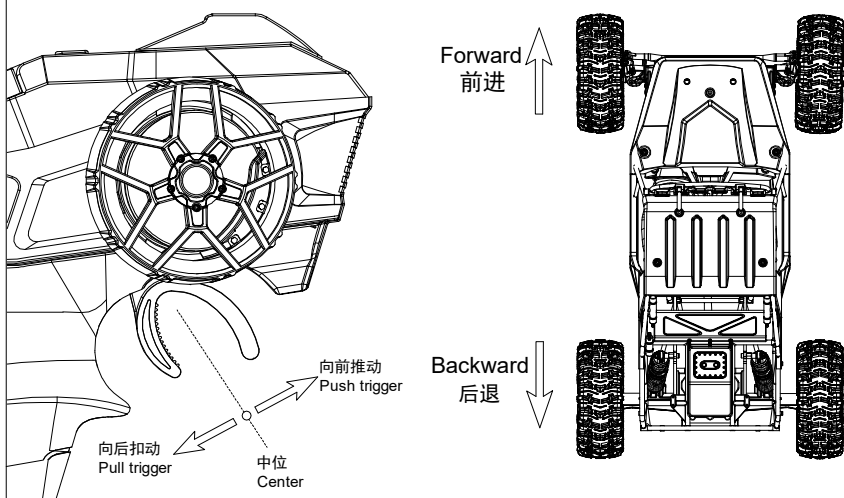
- 按箭头方向滑动，拆下或者安装发射机电池盖。
Remove the battery cover from the transmitter (Slide cover as shown arrow direction)
- 装4颗电量充足的AA电池，注意电池尺寸正负极如图所示，不要装反。
Install 4 AA batteries with sufficient power as shown. Taking care to align the battery polarity.
- 不要混用新旧或不同类型的电池。更换电池型号不正确，或给非充电电池充电有爆炸危险。
Never use different batteries or mixed old and new batteries. Risk of explosion if battery is replaced by an incorrect type or charging non-rechargeable batteries.
- 定期检查遥控器上电池电量。电池电量不足情况下，不能操作车子，信号会遭受影响，车子可能瞬间失控，导致发生碰撞或伤害。长时间不使用时，请将电池从遥控器内取出。
Check the transmitter battery level regularly. Never operate your model with low transmitter batteries, the radio signal may subject to interference and cause momentary loss of control and collisions or injury. When not in use for a long time, please remove the battery from the transmitter.

操作模型车

DRIVING PRECAUTIONS



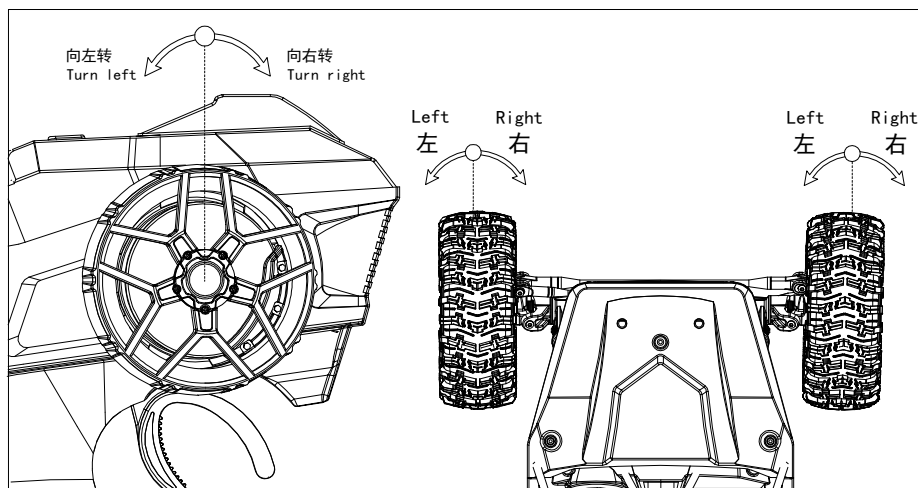
- 1) 将充满电的电池放入电池盒，连接好电池与电调线插头，注意孔位正确。
Install a fully charged battery pack into the vehicle battery box. Connect the battery power lead to the ESC wires plug, noting proper polarity.
- 2) 打开遥控器电源开关，遥控器电源指示灯点亮。
Power ON the transmitter, the battery Indicator lights.
- 3) 打开电调电源开关，电调指示灯点亮，控制系统进入工作状态。
Turn on ESC Power Switch, the LED Lights, indicating control system enters working status .



用手指向后扣动遥控器扳机，车将向前行驶。
用手指向前推动扳机一次为刹车，松开手指待扳机回到中位后再向前推动则为倒车。

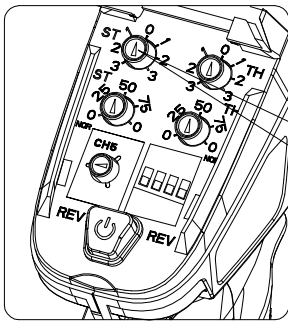
To move the vehicle forward, pull the Throttle trigger .

To reverse the vehicle, push the transmitter trigger one time is brake, pause, then return the trigger to center. Push again is Reverse.

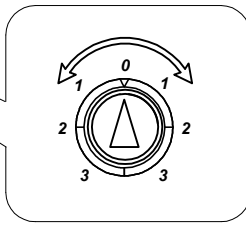


车前轮的运动是随遥控器转向轮的调整而改变的。
遥控器转向轮向左转，车前轮也是左转。
遥控器转向轮向右转，车前轮也是右转。

The front wheel movement is controlled by transmitter steering wheel.
Turn transmitter steering wheel left, the vehicle front wheel turns left.
Turn transmitter steering wheel right, the vehicle front wheel turns right.

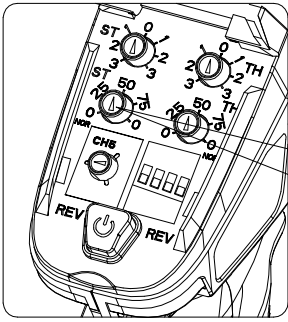


转向中位微调
Steering trim

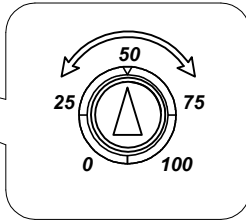


在没有操控转向轮的情况下，车辆前轮应该处于中心位置。如果前轮偏向左侧，请顺时针转动转向微调旋钮进行微调。如果前轮偏向右侧，请逆时针转动转向微调旋钮进行微调。

Without turning transmitter steering, the vehicle front wheels should maintain a straight line. If not, adjust ST Trim knob until the vehicle tracks straight. If the front wheel is tilted to the left, fine tuning ST Trim knob clockwise. If the front wheel is tilted to the right, fine tuning ST Trim knob counterclockwise.

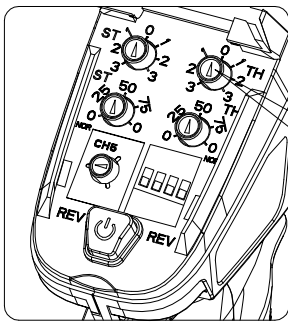


转向角度舵量调整旋钮
Steering End Point Adjustment

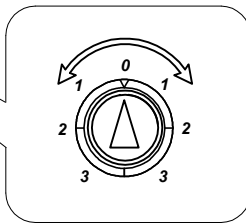


调整转向角度舵量大小，来适应不同弯角路面的行使需要。顺时针转动该微调旋钮，可以将转向角度调整到最大。逆时针转动该微调旋钮，可以将转向角度调整到最小。

Adjust Steering End Point to help adapt to different terrains. Clockwise twist this knob: adjust to the maximum steering angles. Counterclockwise twist this knob: adjust to the minimum steering angles.

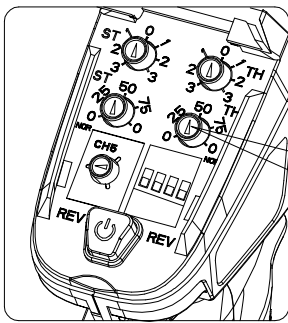


油门中位微调
Throttle Trim

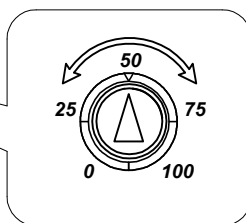


在没有操控油门扳机的情况下，车辆应该处于静止状态。如果车子自行前进，请逆时针转动油门中位微调旋钮进行微调。如果车子自行后退，请顺时针转动油门中位微调旋钮进行微调。

Without operating throttle trigger, the vehicle should be motionless. If vehicle moves forward, counterclockwise adjust Throttle Trim knob. If vehicle moves backward, clockwise adjust Throttle Trim knob.

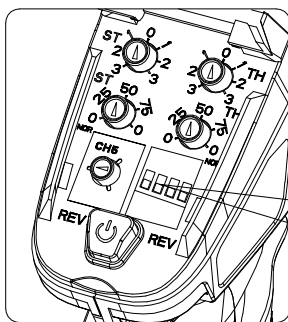


油门限速旋钮
Throttle Limit

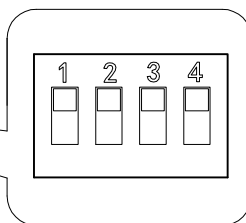


设定遥控油门限速旋钮控制量大小，逆时针旋转是降低控制量（最低可以降到0%），顺时针旋转是加大控制量（最高值为100%正常油门控制量）。

对于初学者而言，可以先尝试调低油门控制量来适应车辆。
Set Throttle Limit knob to limits throttle output. Counterclockwise Throttle Limit knob to reduce the limit output(minimum 0%)
Clockwise adjust Throttle Limit knob to increase the limit output(maximum 100% is for normal)
Suggest the less experienced select Throttle Limit to reduce speed.

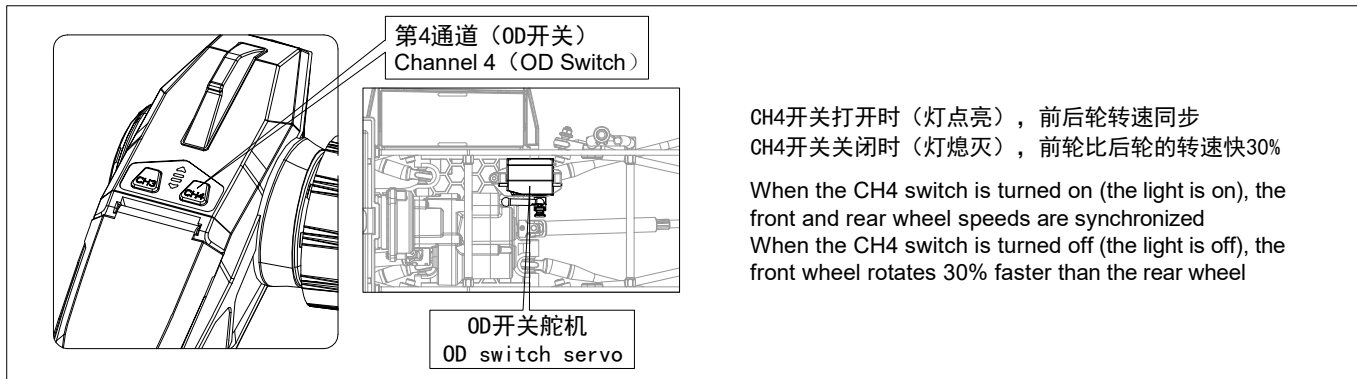


正反切换开关
Reverse switch



如果遥控的操作与车辆动作不一致，请调整此正反切换开关，直至遥控操作和车辆动作一致。

If the operation on transmitter is inconsistent with the vehicle actual performs (forward/backward, left/right) , please adjust this switch to correct.



常见问题及故障处理 Troubleshooting

	故障现象 Problems	故障分析 Causes	故障排除 Solutions
遥控器 Transmitter	电源指示灯不亮 LED does not work.	电池没电或电池安装错误 Weak batteries or batteries are not installed properly.	更换新的电池或检查正负极 Replace with new batteries or install them correctly.
	电源指示灯频率式慢闪 LED flashes slowly.	电池电量不足 Low battery power.	更换新的电池 Replace with new batteries.
	指示灯正常亮起, 但是无功能, 无法操控车辆 Switch on, normal LED indicate, but no function and cannot operate vehicle.	周围可能有其它正在运行的电子产品导致的遥控频率干扰 Signal interference with other transmitters around you.	重启模型车和遥控器或更换场地 Switch off firstly, and then switch on again or change to other places.
模型车 Car	接通电源后指示灯不亮 Connected, but fail to be switched on.	电池没电或电池过放而损坏, 或电路接线破损 The battery pack is flat or damaged. The connectors and wires may break.	更换为已充电的电池, 检查电池或线路是否损坏 Charge the battery pack and replace with the new battery pack when needed, check all wires and connectors.
	转向异常或失灵 Connected, but fail to be switched on.	检查是否有杂物阻塞转向结构, 或转向部件或舵机已损坏 Steering device is jammed or steering servo is damaged.	检查所有部件, 更换损坏的或磨损的部件 Check all the steering parts and or steering servo. Fix or replace with new parts if needed.
	能转向, 但无法前进或后退 Steering functions, but the car is not able to go forwards or backwards.	电池电力不足, 传动部件损坏或被杂物阻塞. 电调功能异常 ESC malfunctions.	更换为已充电电池, 清理与更换部件. Replace with new ESC.
	模型车行驶时噪音大 The car drives noisily.	检查是否有杂物阻塞传动部件, 或传动部件损坏或脱落, 检查齿轮齿合度, 检查并分析差速器齿轮是否已出现扫齿、崩牙等现象。 Check if the drive train is tight or blocked or damaged driving parts, Check the gear mesh and check if the diff is damaged or not.	及时更换已损坏的齿轮、传动轴、传动接杯或差速器 Replace with new gears, diff driveshafts, outdrive cups in the event that they are damaged. Do not use the car until it has been repaired

维修服务

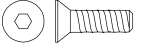
REPAIR SERVICE:


- 1) 车辆需要经常保养, 以保持其性能, 特别是活动的零件部位, 每次跑车完及时清除上面的尘土杂物。保持车辆清洁和良好的保养。
Periodic maintenance in order to ensure the vehicle best performance, especially the running parts. Remove chassis free of dirt and debris after every driving. Keep your vehicle clean and well maintained.
- 2) 定期检查车上有螺丝的地方, 有必要就拧紧加固。
Regularly check the screws on the car and tighten them if necessary.
- 3) 经常检查车上面磨损/弯曲/坏掉的部件, 有必要就换掉。
Always check for wear/broken/bent parts, and replace it if necessary.
- 4) 所有的零件都可以作为散件在爆炸图上找到编号, 有损坏可以在零售商订购更换。有任何问题, 都可以在零售商寻求帮助。
All parts listed on the exploded view. Damages can be ordered at the retailer. If you have any questions, you can ask for help at the retailer.

Reducer Assembly

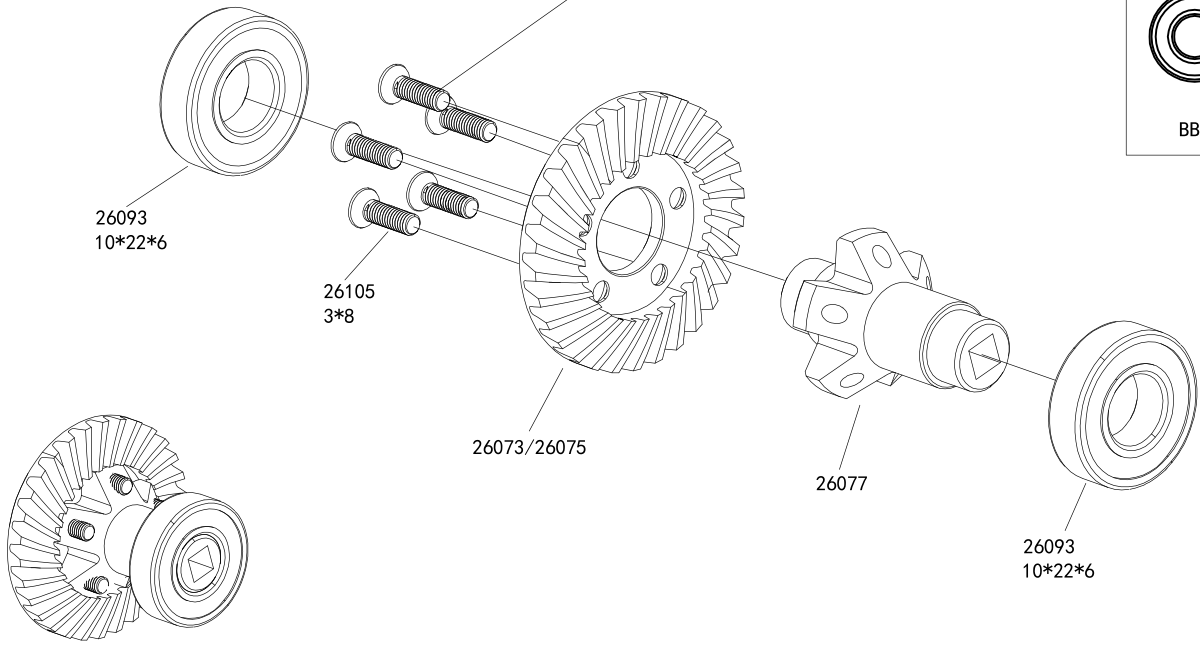
减速器组 前/后



 × 4
 26105
 平头3×8
 FH HEX Screw



 × 2
 26093
 BB 10×22×6

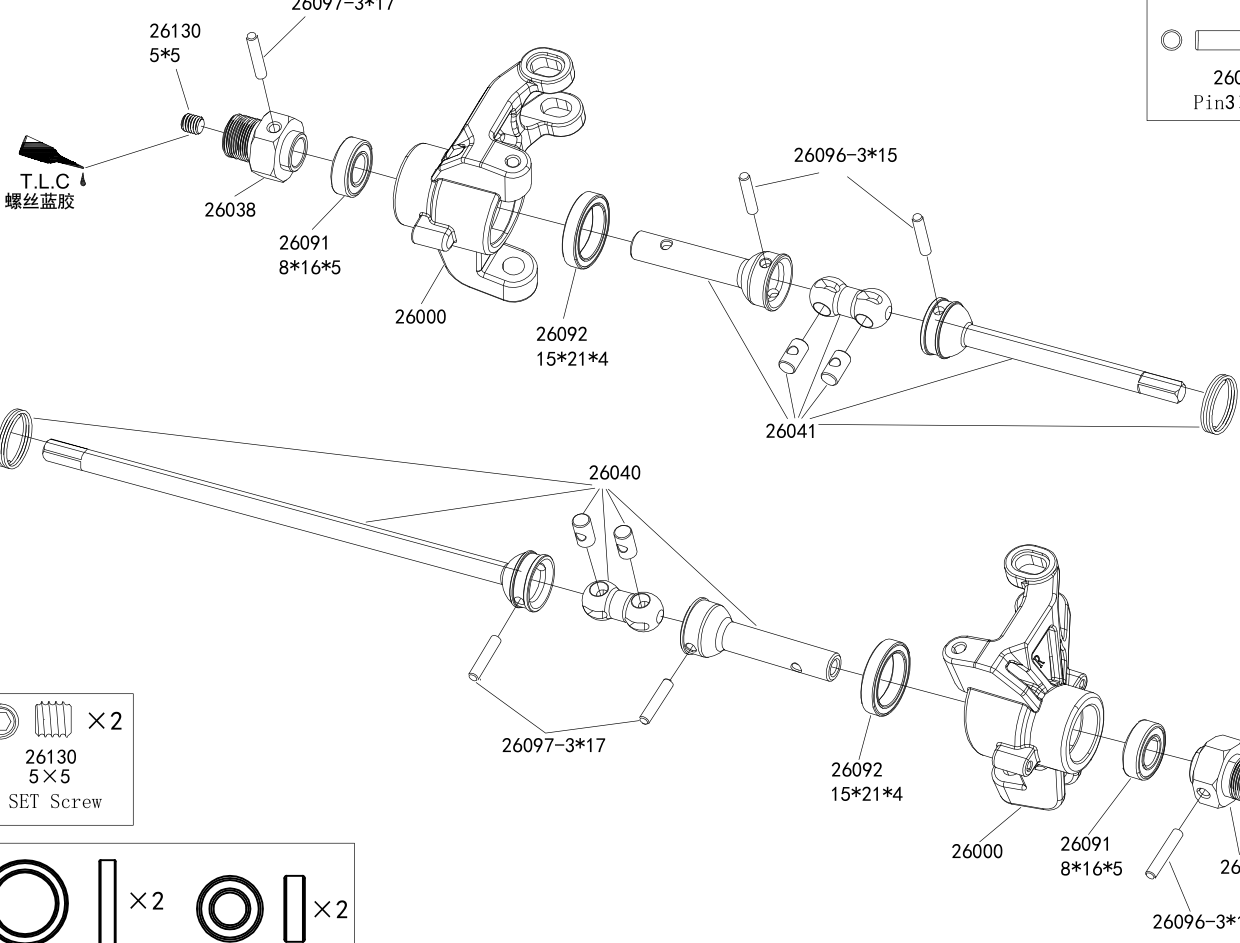
T.L.C
螺丝蓝胶

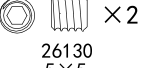




Spindle set

转向臂组 左/右

 × 2
 26096
 Pin3×15
 × 2
 26097
 Pin3×17

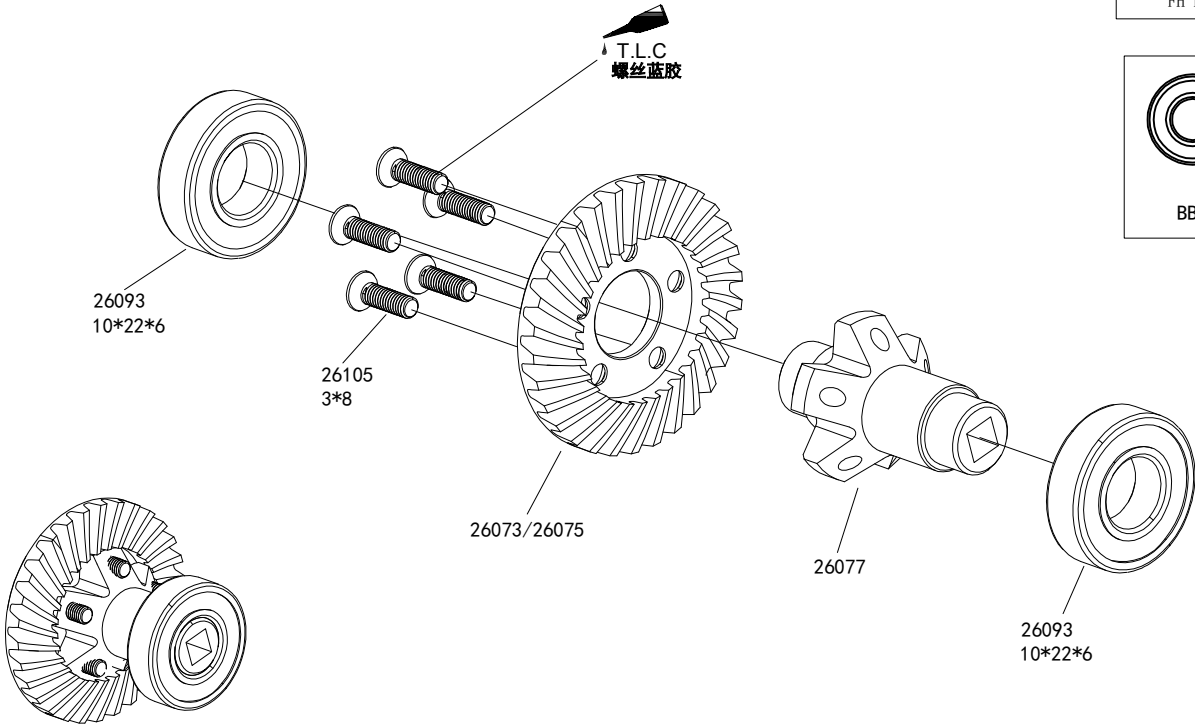
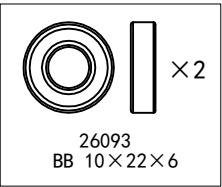
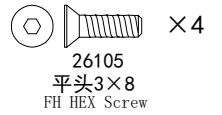


 × 2
 26130
 5×5
 SET Screw

 × 2
 26092
 BB 15×21×4
 × 2
 26091
 BB 8×16×5

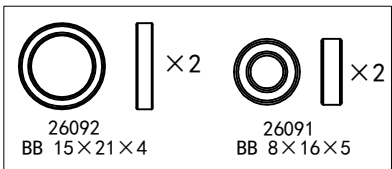
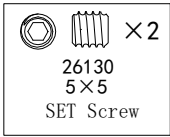
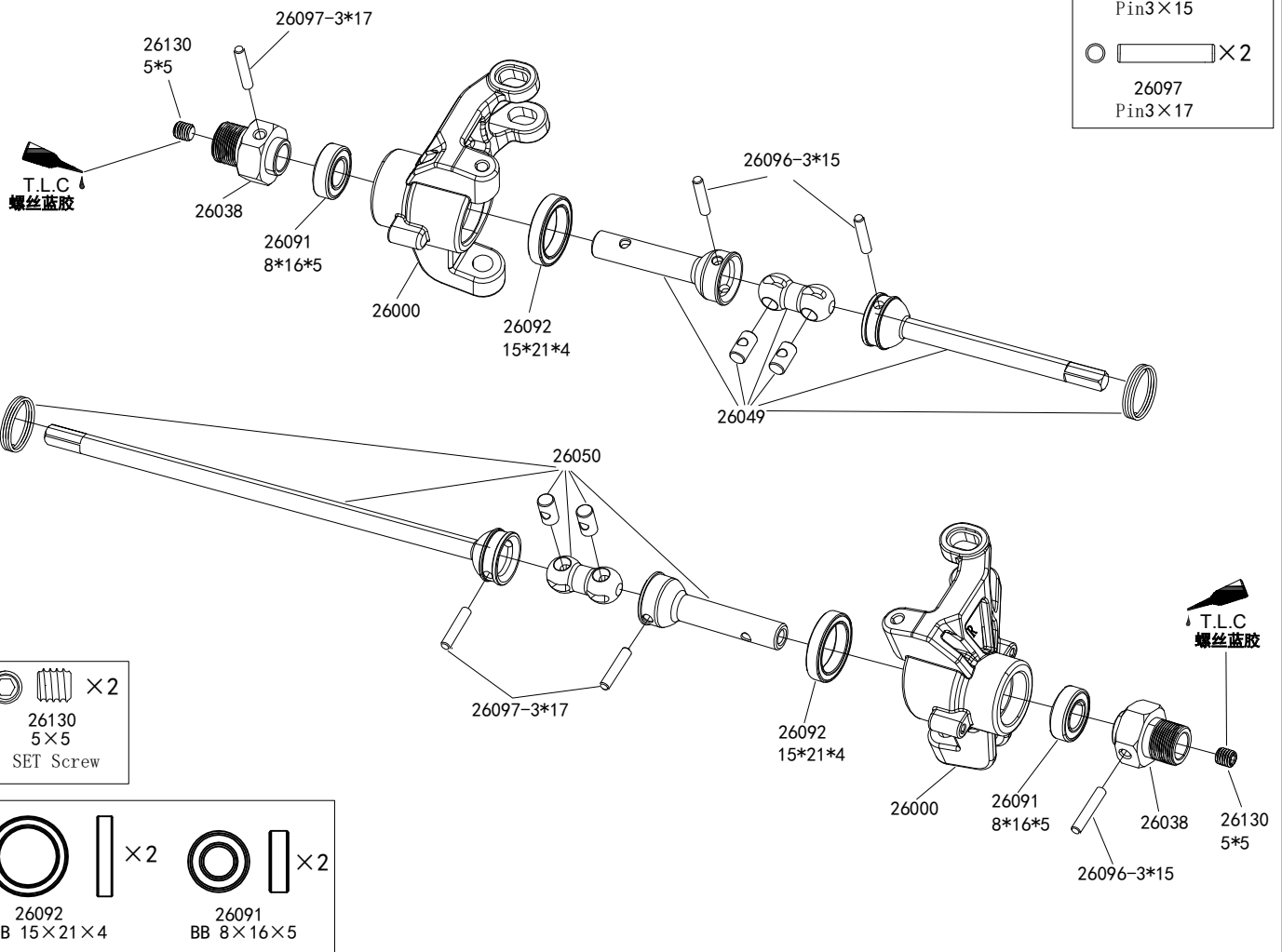
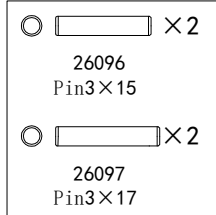
Reducer Assembly

减速器组 前/后



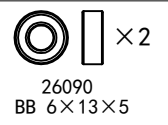
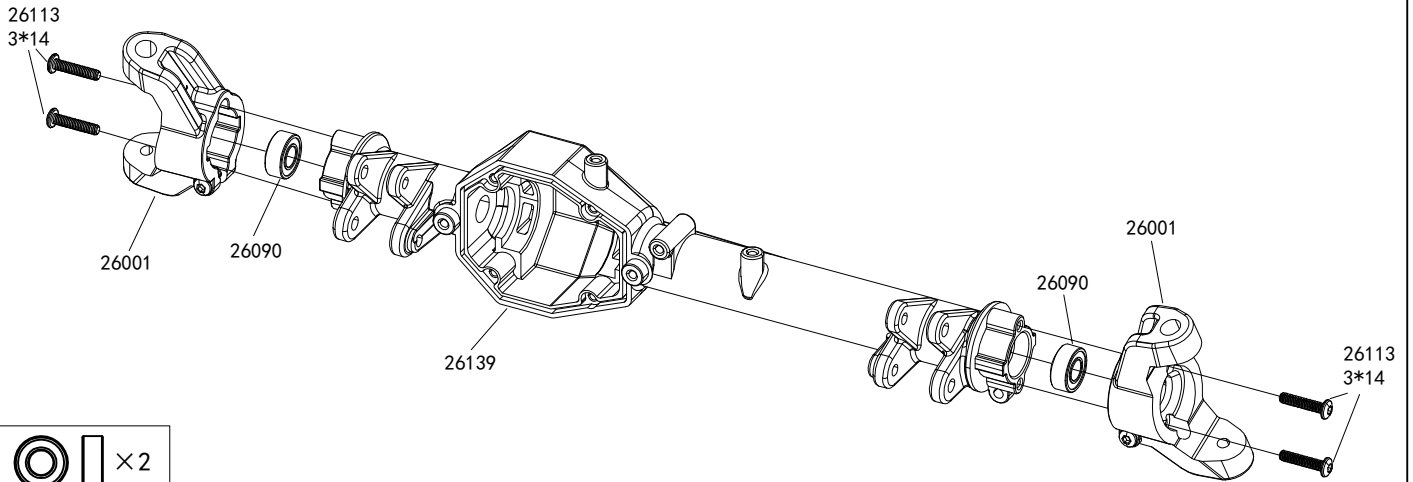
Spindle set

转向臂组 左/右



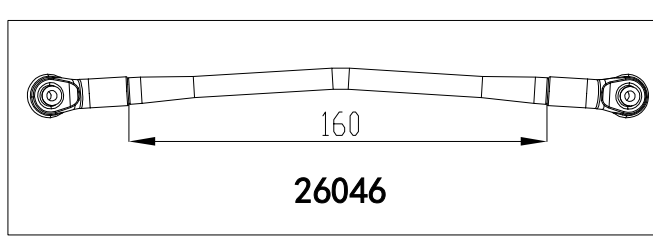
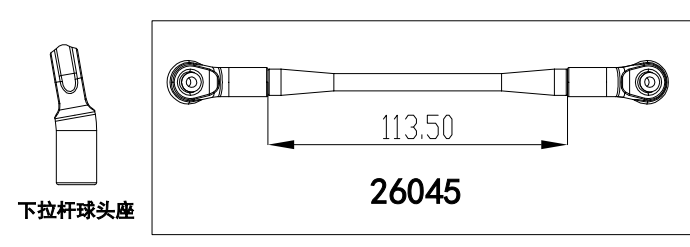
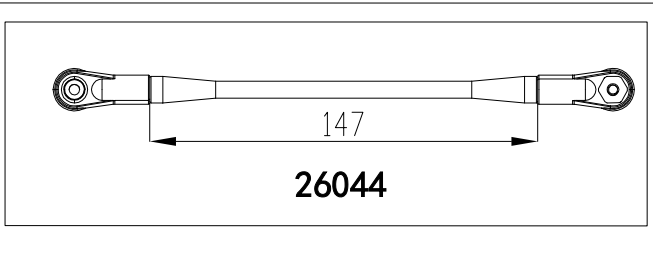
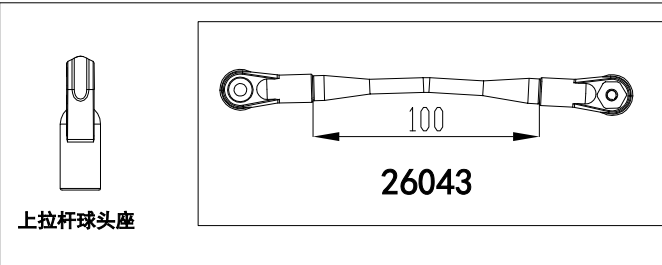
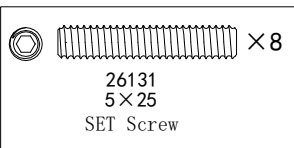
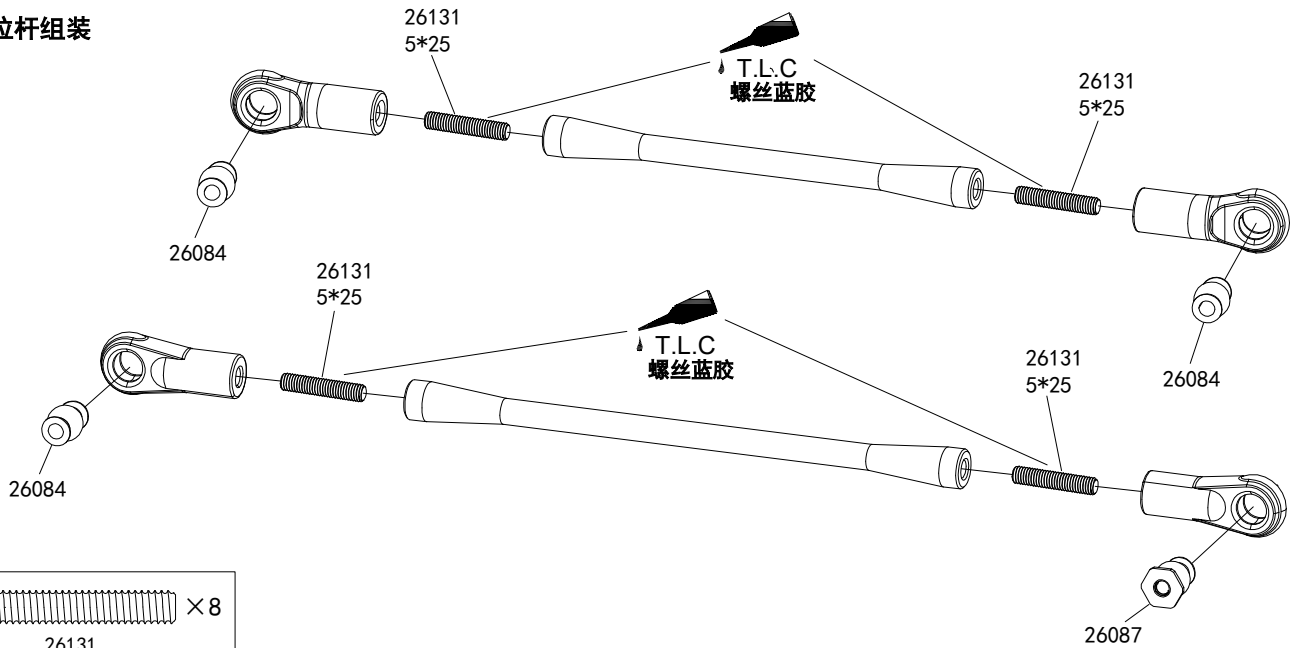
Front portal Assembly

前桥组



Linkage assembly

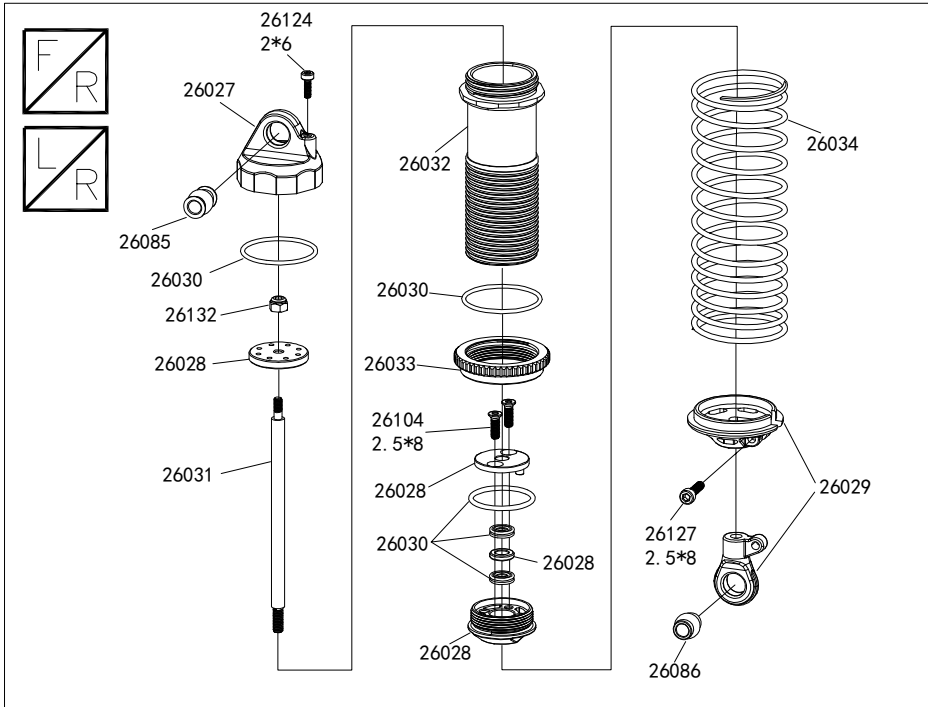
拉杆组装



Shock Absorber Before/Middle/After

避震器 前/后



-  × 8
 26104
 盘头2.5×8
 FH HEX Screw
-  × 4
 26127
 杯头2.5×8
 CAP Screw






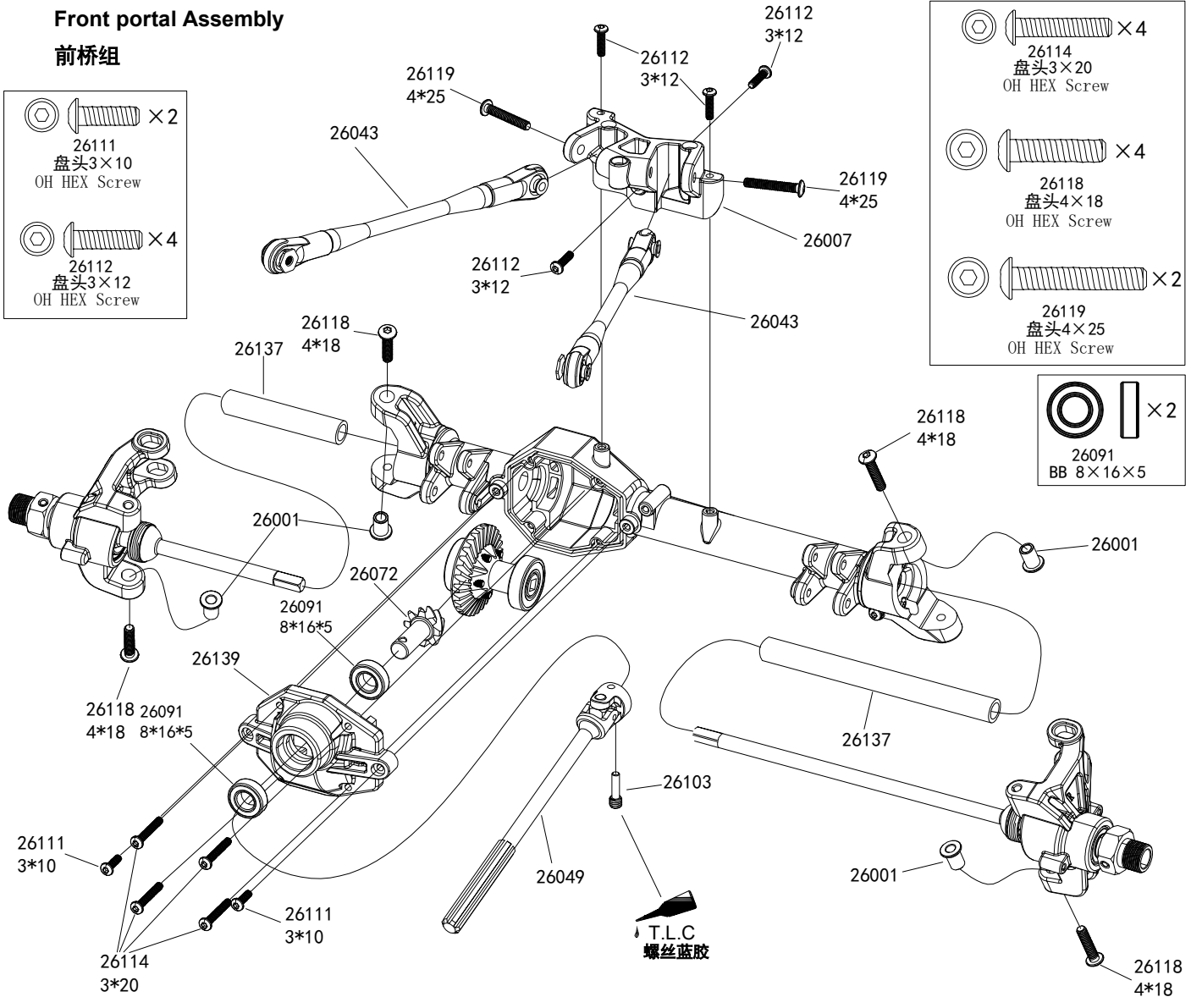
26035


Front portal Assembly

前桥组

-  × 2
 26111
 盘头3×10
 OH HEX Screw
-  × 4
 26112
 盘头3×12
 OH HEX Screw

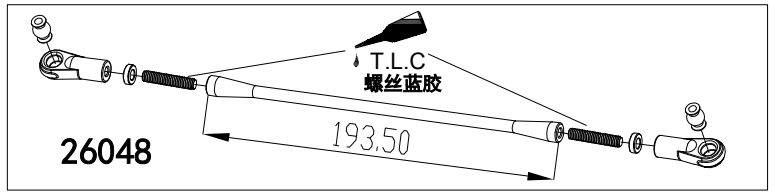
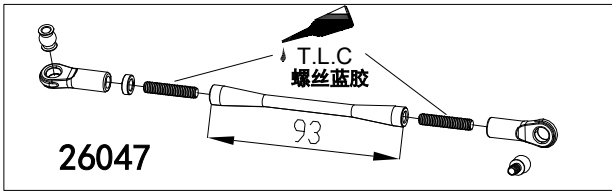
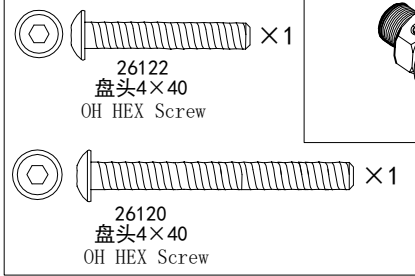
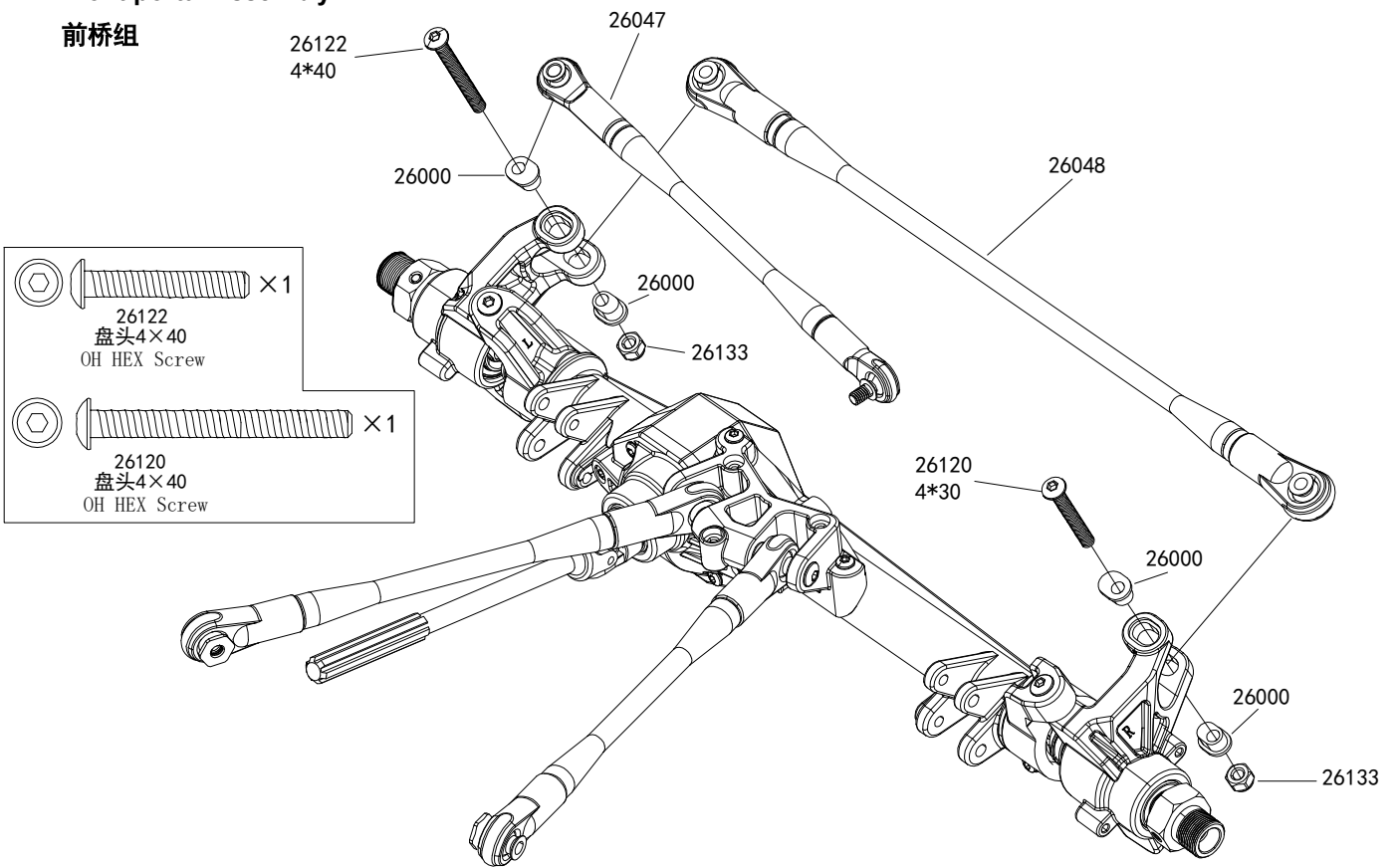
-  × 4
 26114
 盘头3×20
 OH HEX Screw
-  × 4
 26118
 盘头4×18
 OH HEX Screw
-  × 2
 26119
 盘头4×25
 OH HEX Screw



-  × 2
 26091
 BB 8×16×5

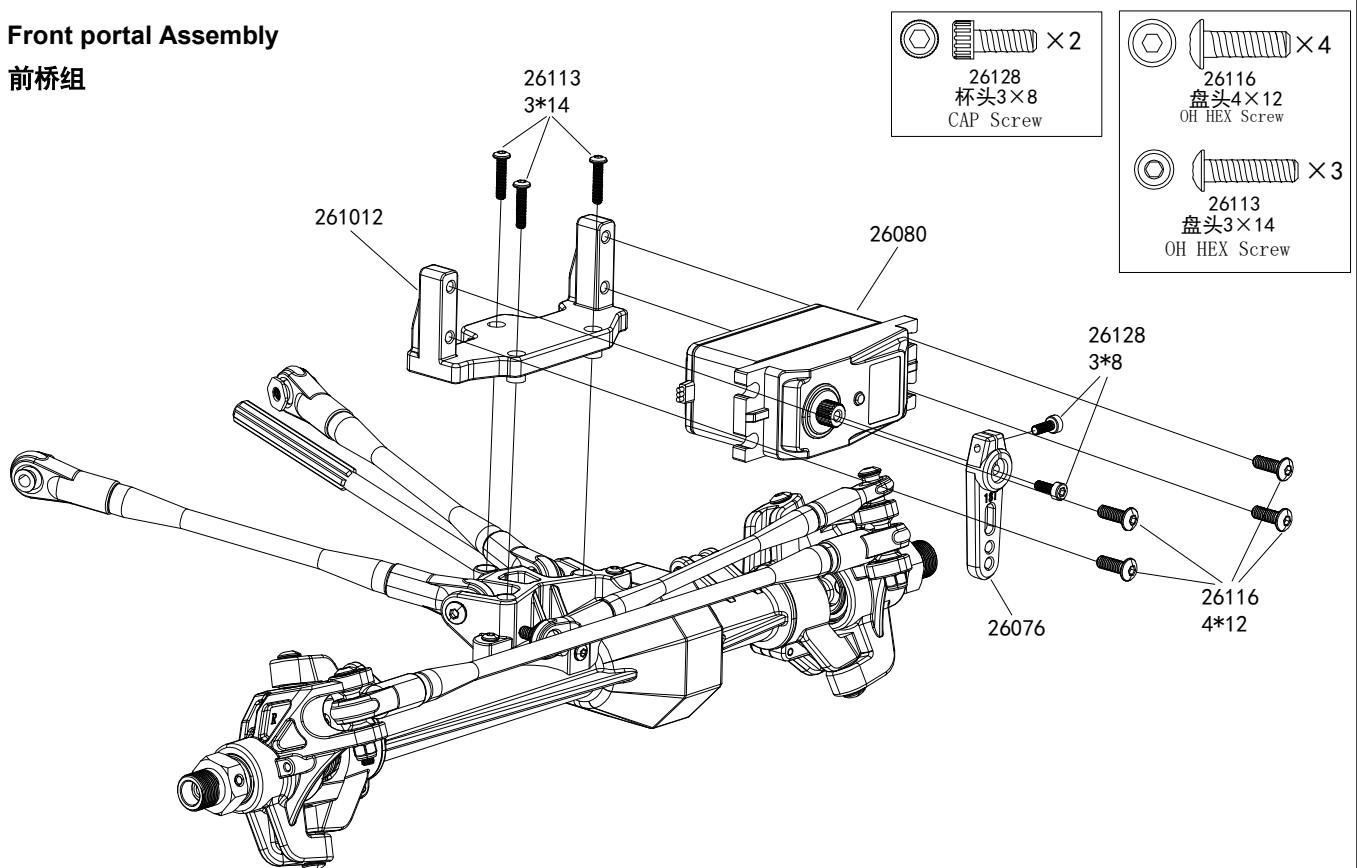
Front portal Assembly

前桥组



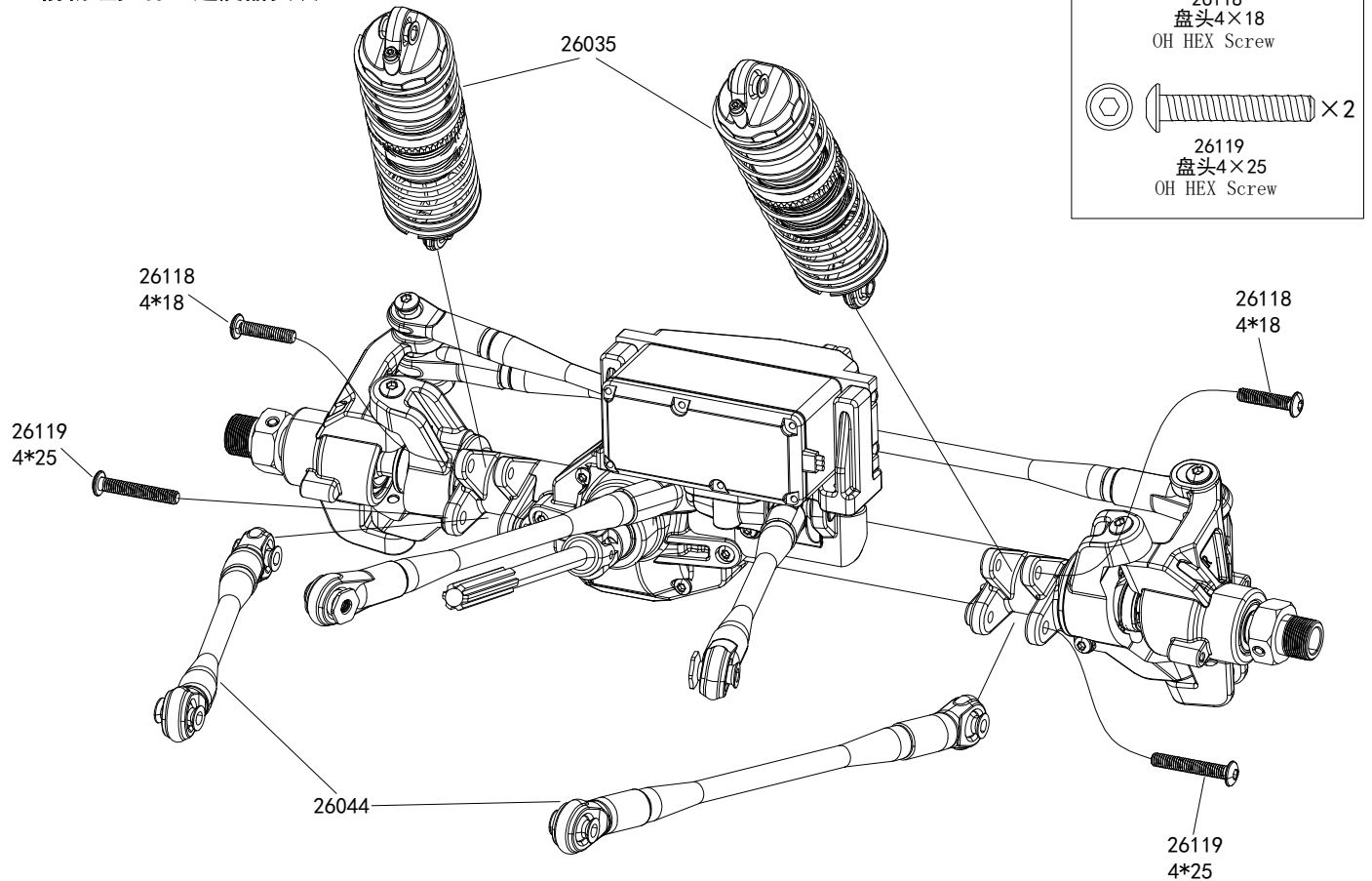
Front portal Assembly


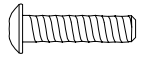

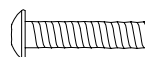
前桥组



Front portal assembly linkage shock installation

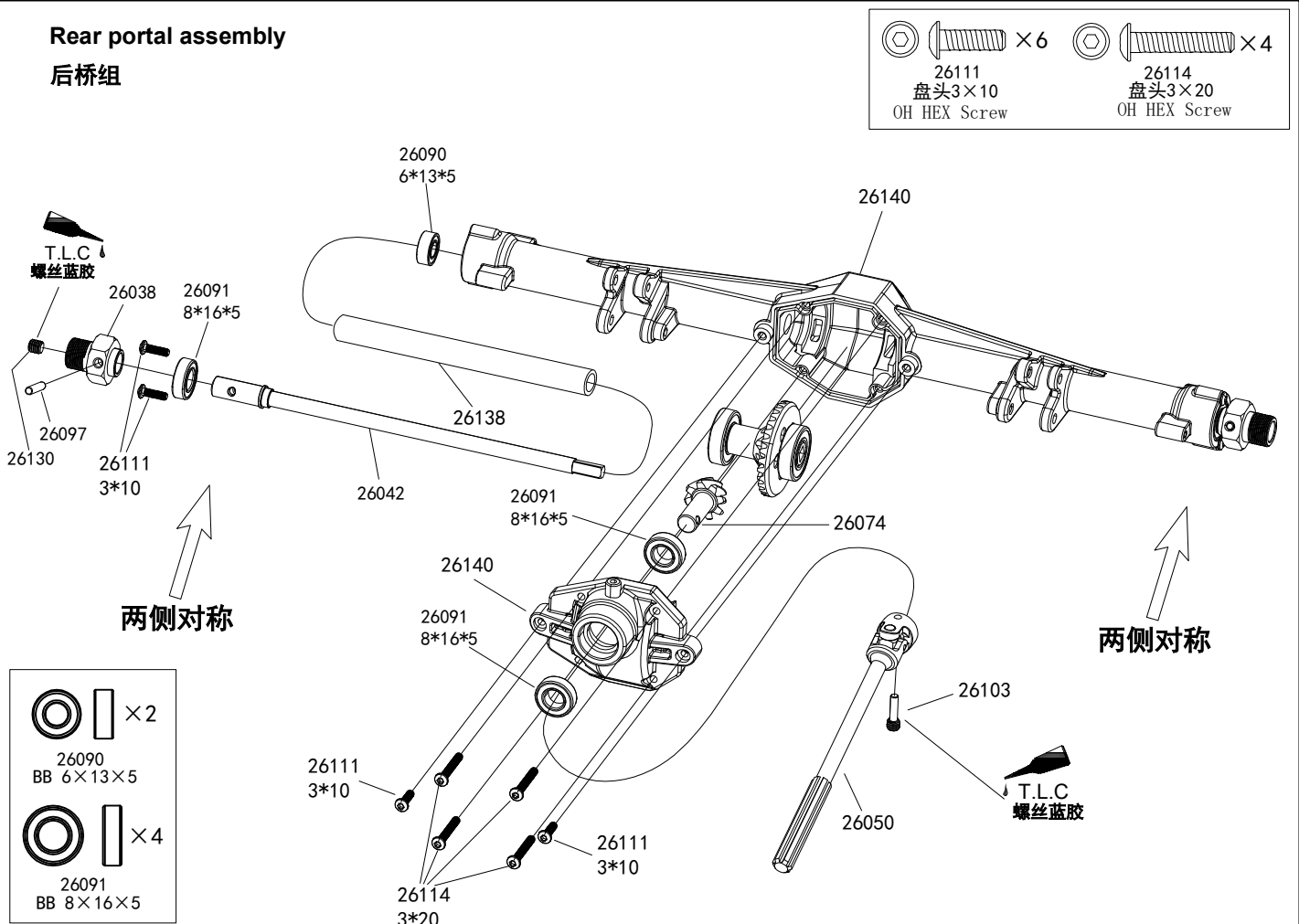
前桥组拉杆、避震器安装


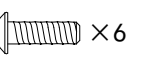







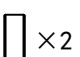


- 
 × 2
 26118
 盘头4×18
 OH HEX Screw
- 
 × 2
 26119
 盘头4×25
 OH HEX Screw

Rear portal assembly

后桥组

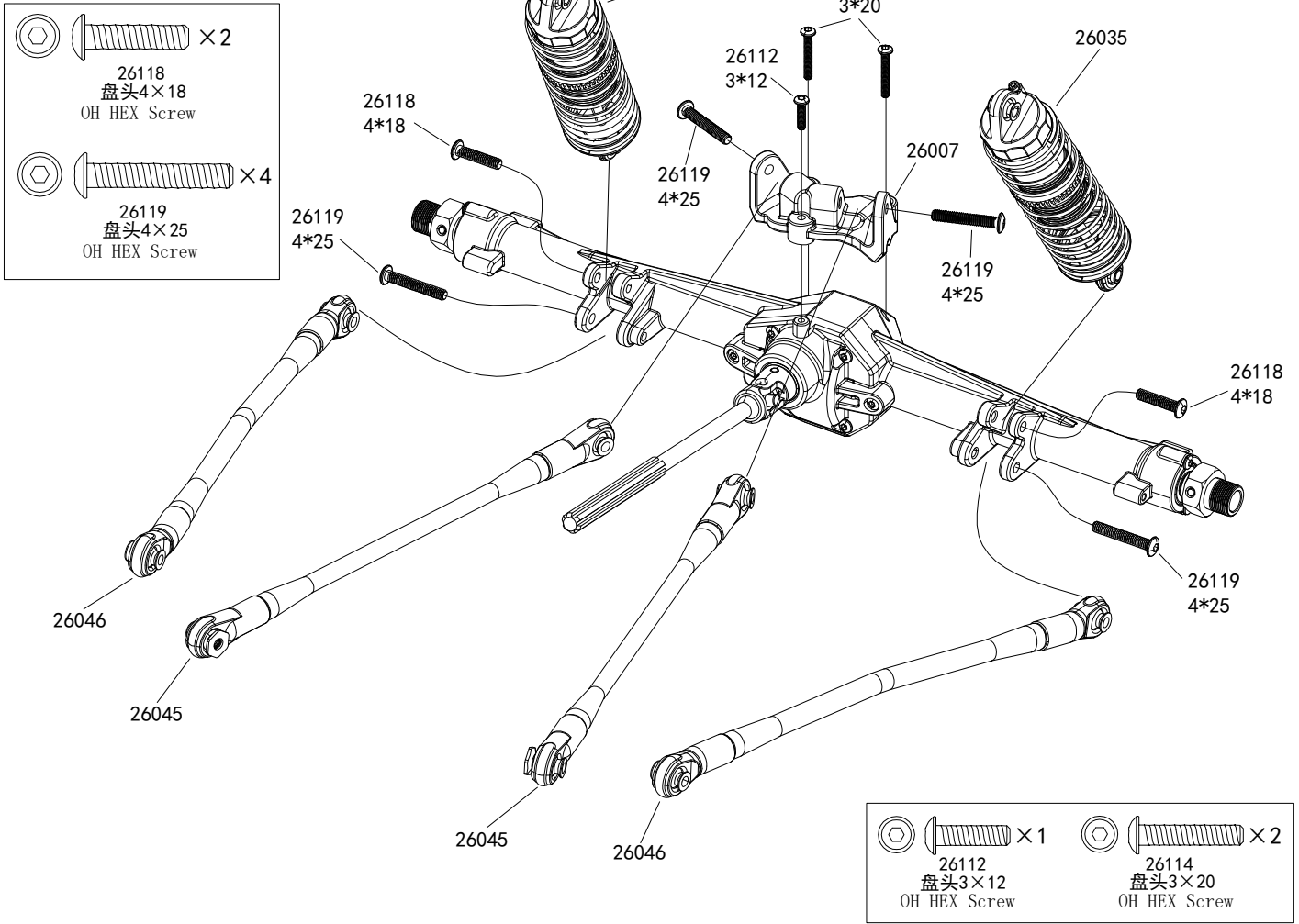


- 
 × 6 
 × 4
 26111
 盘头3×10
 OH HEX Screw
- 
 × 4
 26114
 盘头3×20
 OH HEX Screw

- 
 × 2
 26090
 BB 6×13×5
- 
 × 4
 26091
 BB 8×16×5

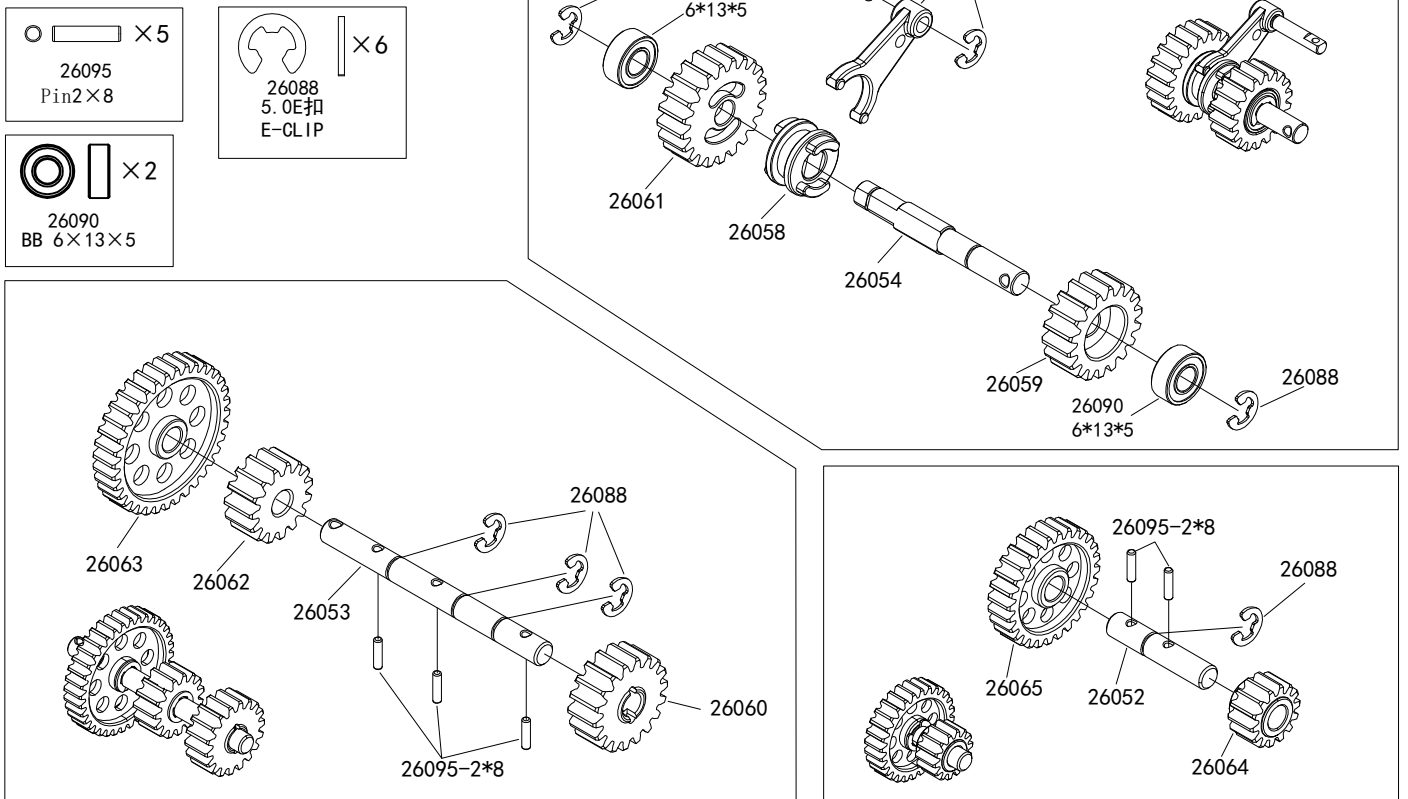
Rear portal assembly linkage shock installation

后桥组拉杆、避震器安装



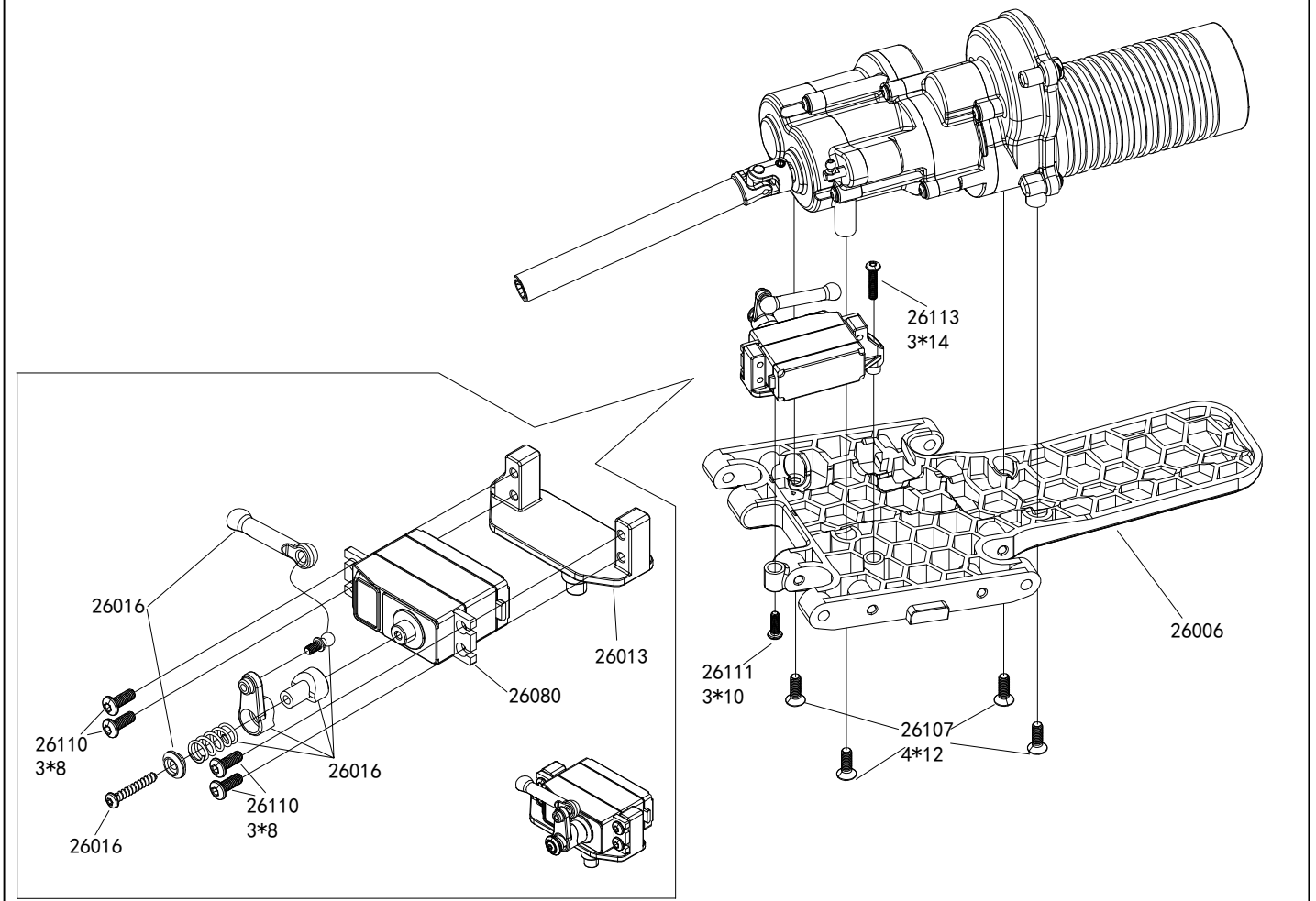
Gearbox Assembly

波箱组装



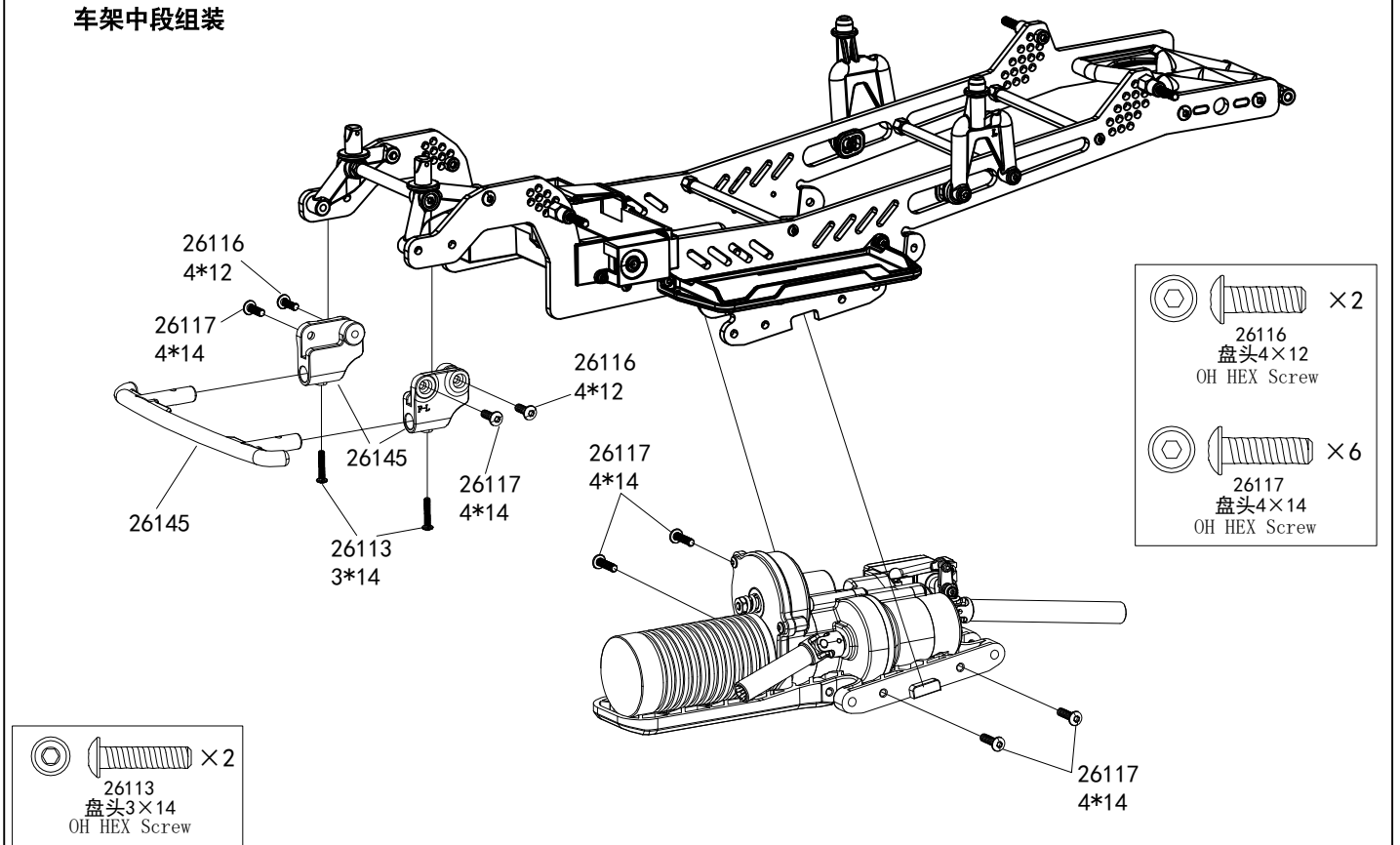
Chassis Assembly

车架中段组装



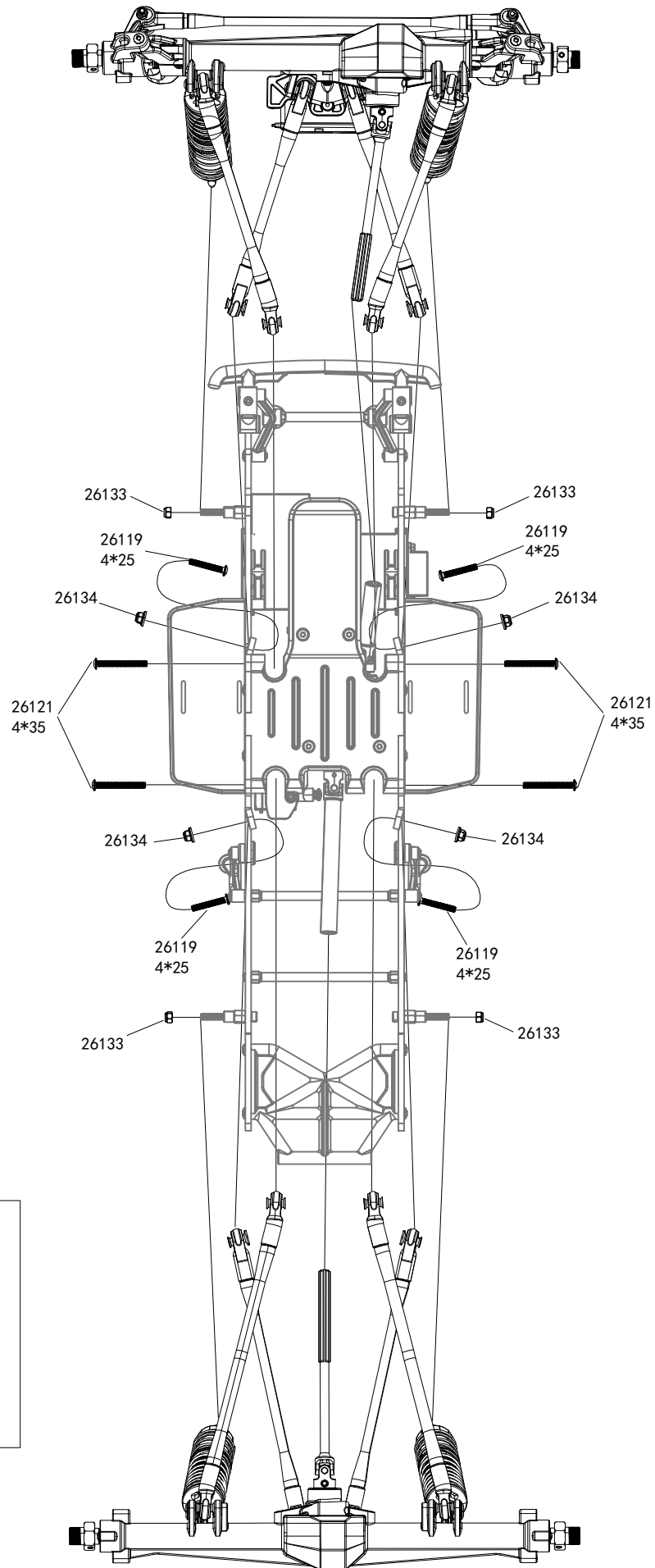
Chassis Assembly





车架中段组装



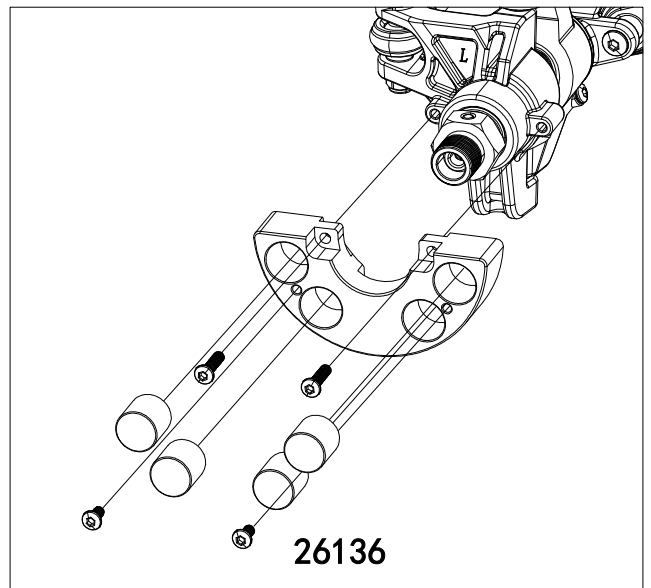
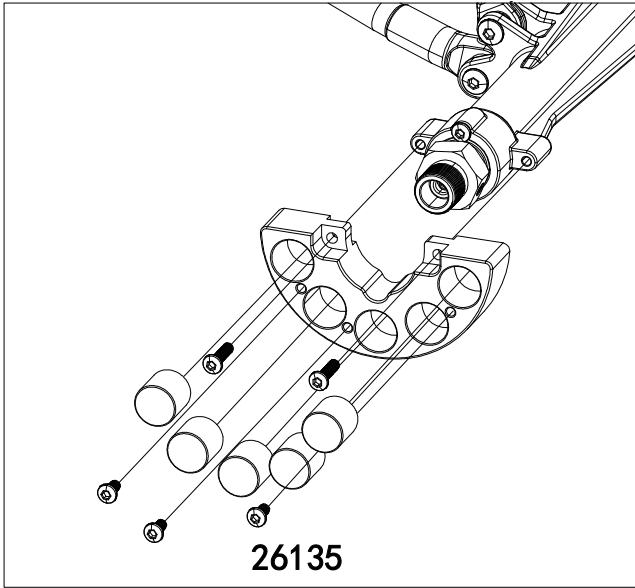
Chassis Assembly

车架中段组装



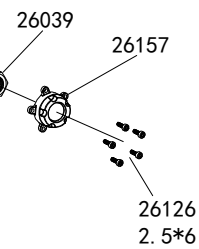
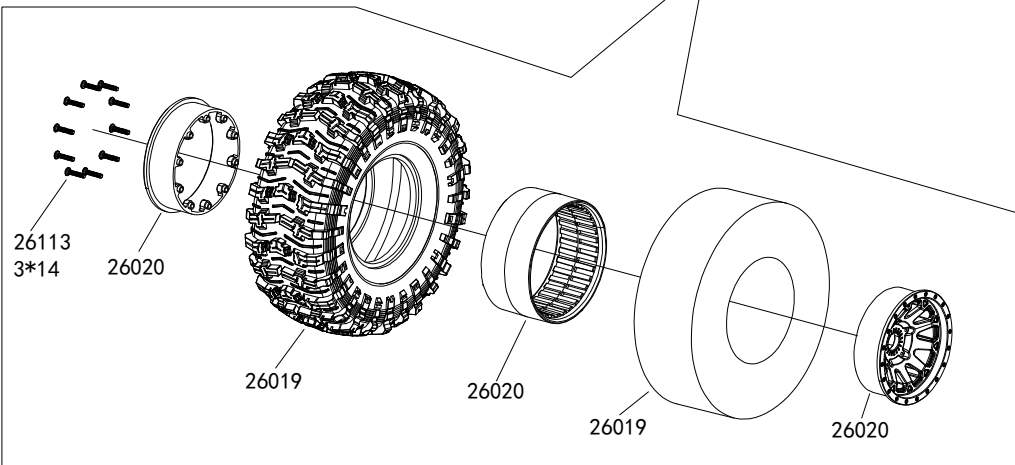
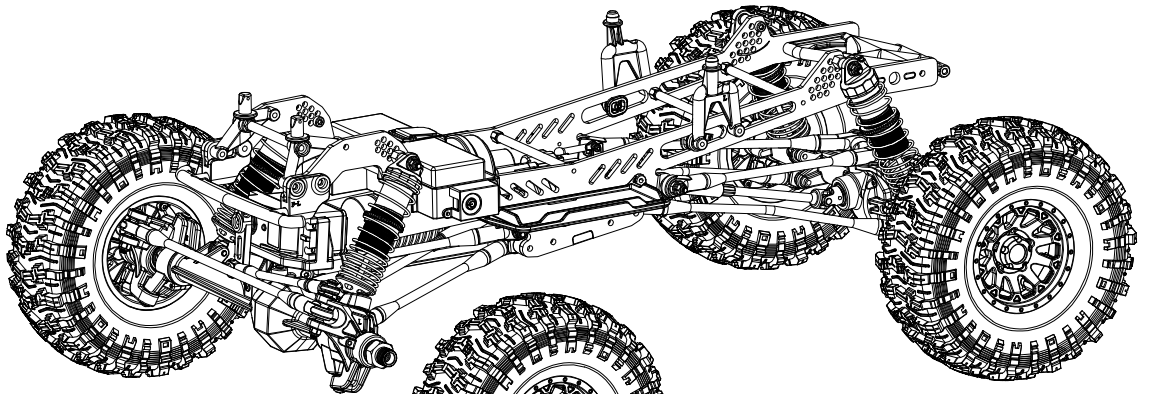
		× 4
26119 盘头4×25 OH HEX Screw		
		× 4
26121 盘头4×35 OH HEX Screw		

配重安装



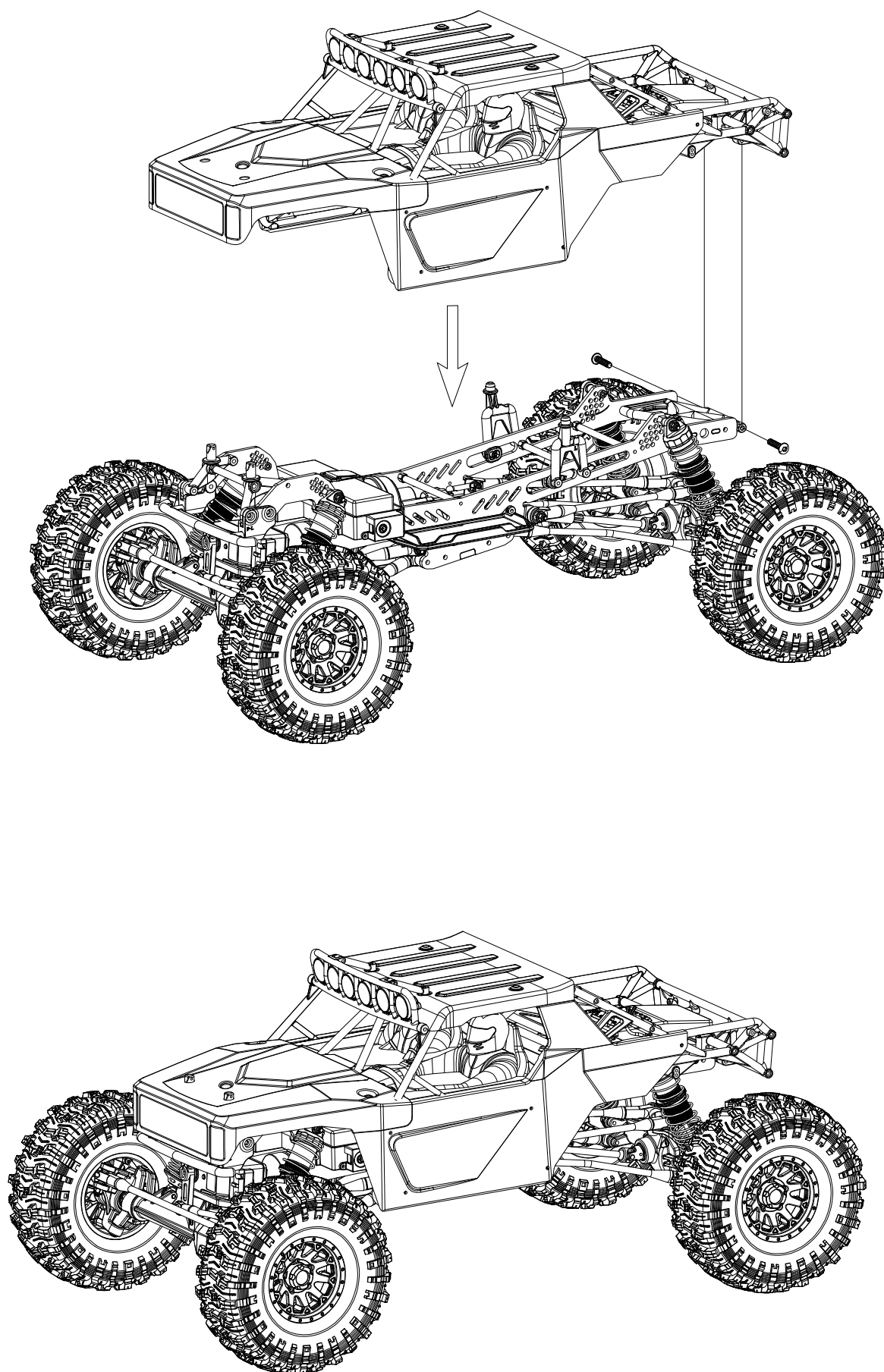
Tires Assembly

轮胎安装



Body Assembly

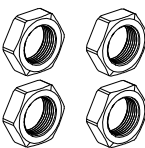
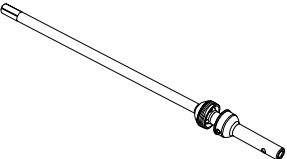
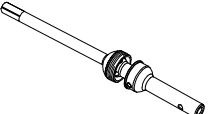
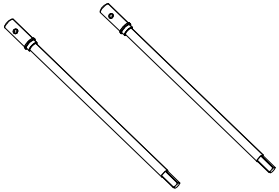
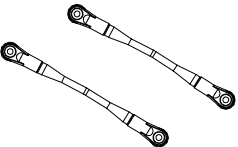
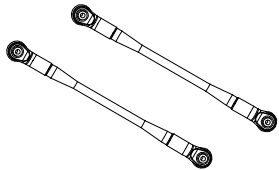
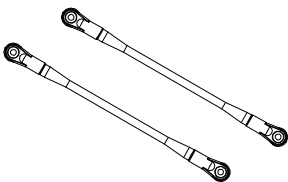
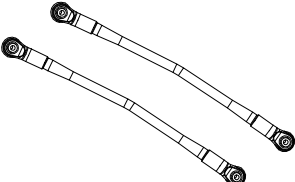
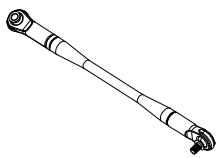
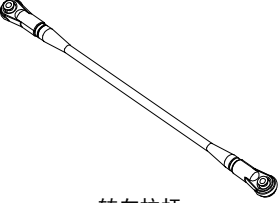
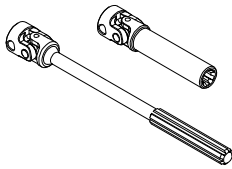
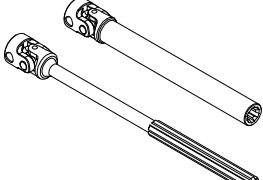
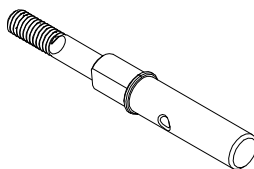
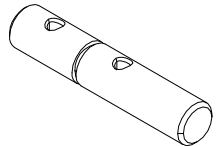
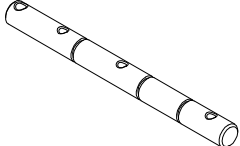
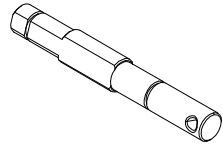
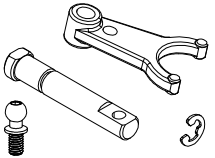
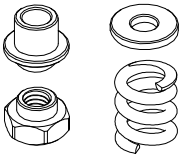
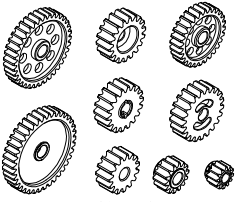


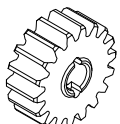


车壳组装



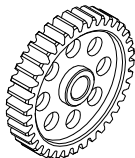
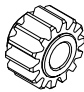
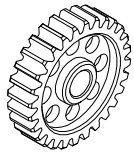
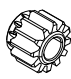
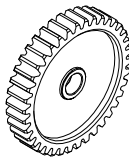
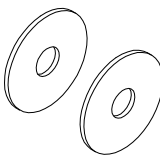
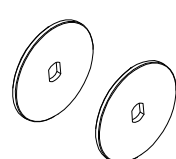
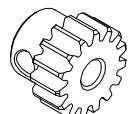
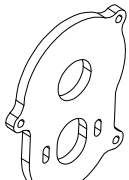


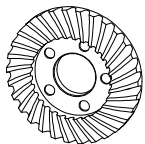
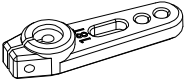
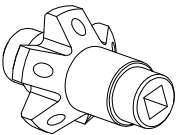
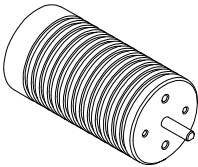
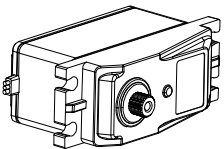
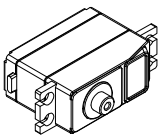
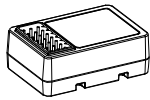

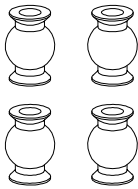
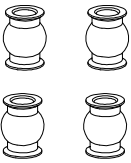
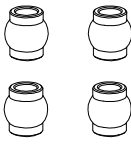
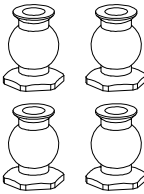
配件表 Parts List

<p>26000</p>  <p>转向座左/右 Spinde Left/Right</p>	<p>26001</p>  <p>c座左/右 C Hub set Left/Right</p>	<p>26006</p>  <p>底板 Chassis Base</p>	<p>26007</p>  <p>前/后拉杆座 Front/rear pull rod seats</p>
<p>26008</p>  <p>大梁支撑柱 Chassis Frame Shore</p>	<p>26012</p>  <p>转向舵机座 Turn Servo Mount</p>	<p>26013</p>  <p>OD舵机座 OD Servo Mount</p>	<p>26015</p>  <p>波箱壳 Gearbox housing</p>
<p>26016</p>  <p>变速伺服臂组 OD Speed Servo Horn</p>	<p>26017</p>  <p>拉杆球头座组 Ball Linkage Ends</p>	<p>26018</p>  <p>轮胎组 Wheels</p>	<p>26019</p>  <p>胎皮/海绵 Tires/Foams</p>
<p>26020</p>  <p>轮毂/压圈 Gray Rims/pressing ring</p>	<p>26027</p>  <p>避震器上盖 Shock Absorber Upper Lid</p>	<p>26028</p>  <p>避震器中段组件 Shock Absorber Middle Set</p>	<p>26029</p>  <p>避震弹簧下座/下球头座 Shock Absorber Lower Set</p>
<p>26030</p>  <p>避震器密封圈组件 Shock Absorber Seal O-Ring X-Ring</p>	<p>26031</p>  <p>避震轴 Shock Absorber Shaft</p>	<p>26032</p>  <p>避震筒 Shock Absorber Cylinder</p>	<p>26033</p>  <p>避震调节环 Shock Absorber Adjustment Rings</p>
<p>26034</p>  <p>避震器弹簧 Shock Absorber Springs</p>	<p>26035</p>  <p>避震器 Shock Absorber Set</p>	<p>26036</p>  <p>大梁 Chassis Frame</p>	<p>26038</p>  <p>六角轮座 Wheel Hex</p>

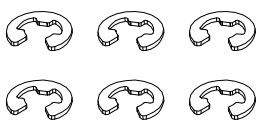
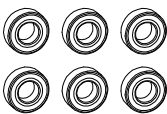
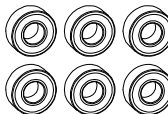
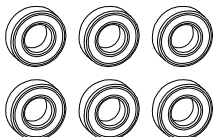
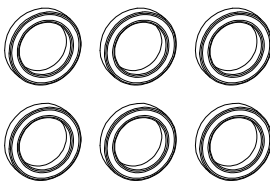
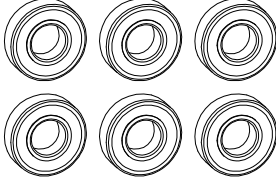
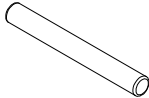
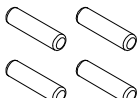
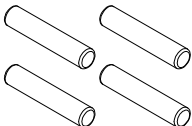
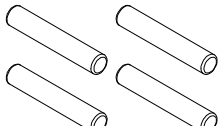

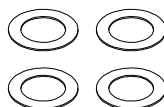
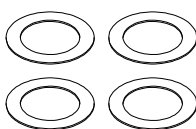
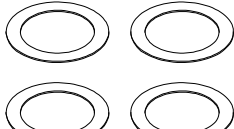
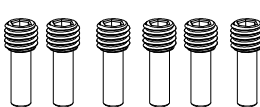
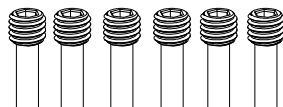
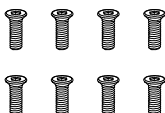
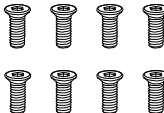
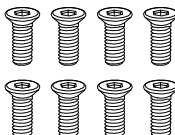
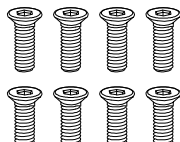
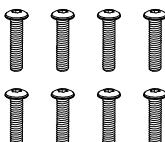
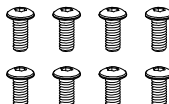
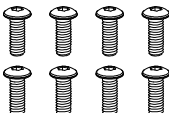
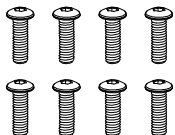
配件表 Parts List

<p>26039</p>  <p>六角轮座螺母 Hexagonal wheel seat nut</p>	<p>26040</p>  <p>前万向轴-长 Long front Universal Shaft</p>	<p>26041</p>  <p>前万向轴-短 Short front Universal Shaft</p>	<p>26042</p>  <p>后直轴 Rear Straight Axle Shaft</p>
<p>26043</p>  <p>前上拉杆-折弯 Linkage front upper</p>	<p>26044</p>  <p>前下拉杆 Linkage front lower</p>	<p>26045</p>  <p>后上拉杆 Linkage rear upper</p>	<p>26046</p>  <p>后下拉杆-折弯 Linkage rear lower</p>
<p>26047</p>  <p>伺服拉杆 Servo Linkage</p>	<p>26048</p>  <p>转向拉杆 Steering Linkage</p>	<p>26049</p>  <p>纵万向轴-短 Long Universal Shaft Set</p>	<p>26050</p>  <p>纵万向轴-长 Short Universal Shaft Set</p>
<p>26051</p>  <p>限滑减速轴 limited slip Reduction Shaft</p>	<p>26052</p>  <p>二级减速轴 Secondary Reduction Shaft</p>	<p>26053</p>  <p>三级减速轴 Tertiary Reduction Shaft</p>	<p>26054</p>  <p>变速轴 Speed Shift Shaft</p>
<p>26055</p>  <p>变速推杆 Speed Conversion Shaft</p>	<p>26056</p>  <p>波箱限滑组件 Gearbox Limited slip Component</p>	<p>26057</p>  <p>波箱齿轮组 Gearbox Gear Set</p>	<p>26058</p>  <p>高低速换挡锁块 Speed Conversion Lock Block</p>
<p>26059</p>  <p>变速齿18T-轴承孔 Gearbox 18T Gear-Bearing</p>	<p>26060</p>  <p>变速齿18T-轴销孔 Gearbox 18T Gear-Pin</p>	<p>26061</p>  <p>变速齿21T Gearbox 21T Gear</p>	<p>26062</p>  <p>变速齿15T Gearbox 15T Gear</p>

配件表 Parts List

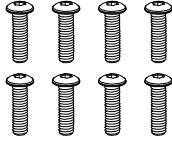
<p>26063</p>  <p>三级减速齿36T Gearbox 36T Gear</p>	<p>26064</p>  <p>三级减速齿14T Gearbox 14T Gear</p>	<p>26065</p>  <p>二级减速齿28T Gearbox 28T Gear</p>	<p>26066</p>  <p>二级减速齿12T Gearbox 12T Gear</p>
<p>26067</p>  <p>减速大齿38T Gearbox 18T Gear</p>	<p>26068</p>  <p>限滑摩擦片 Sliding Limit Friction Plate</p>	<p>26069</p>  <p>限滑钢片 Sliding Limit steel Plate</p>	<p>26070</p>  <p>马达齿15T Gearbox 15T Gear</p>
<p>26071</p>  <p>马达板 Motor Mounting Board</p>	<p>26072</p>  <p>前主动齿8T-左旋 8T Gear-Sinistral</p>	<p>26073</p>  <p>前从动齿30T-右旋 30T Gear-Dextral</p>	<p>26074</p>  <p>后主动齿8T-右旋 8T Gear-Dextral</p>
<p>26075</p>  <p>后从动齿8T-左旋 30T Gear-Sinistral</p>	<p>26076</p>  <p>转向舵机臂18T Steering Servo Horn 18T</p>	<p>26077</p>  <p>直轴固定座 Straight Shaft Fixed Seat</p>	<p>26078</p>  <p>马达/电调一体机 Motor Integrated Machine</p>
<p>26079</p>  <p>舵机60KG 60KG Servo</p>	<p>26080</p>  <p>舵机2.2KG 2.2KG Servo</p>	<p>26081</p>  <p>接收机 Receiver</p>	<p>26082</p>  <p>遥控器 Transmitter</p>
<p>26084</p>  <p>球头9-12.9 Ball End 9-12.9</p>	<p>26085</p>  <p>球头6.8-10 Ball End 6.8-10</p>	<p>26086</p>  <p>球头6.8-8.4 Ball End 6.8-8.4</p>	<p>26087</p>  <p>上拉杆球头-六角 Ball End-Hex</p>

配件表 Parts List

<p>26088</p>  <p>E型环扣5mm E Clip</p>	<p>26089</p>  <p>滚珠轴承6*12*4 Ball Bearing</p>	<p>26090</p>  <p>滚珠轴承6*13*5 Ball Bearing</p>	<p>26091</p>  <p>滚珠轴承8*16*5 Ball Bearing</p>
<p>26092</p>  <p>滚珠轴承15*21*4 Ball Bearing</p>	<p>26093</p>  <p>滚珠轴承10*22*6 Ball Bearing</p>	<p>26094</p>  <p>销子3*25 Pin</p>	<p>26095</p>  <p>销子2*8 Pins</p>
<p>26096</p>  <p>销子3*15 Pins</p>	<p>26097</p>  <p>销子3*17 Pins</p>	<p>26098</p>  <p>垫片2.6*5.9*0.5 Shims</p>	<p>26099</p>  <p>垫片6.1*9.5*0.2 Shims</p>
<p>26100</p>  <p>垫片8.1*12*0.2 Shims</p>	<p>26101</p>  <p>垫片10.1*14*0.2 Shims</p>	<p>26102</p>  <p>纵轴母头接杯螺丝轴M4 Screw Axle</p>	<p>26103</p>  <p>纵轴公头接杯螺丝轴M5 Screw Axle</p>
<p>26104</p>  <p>平头内六角螺丝M2.5*8 Flat Head Screws</p>	<p>26105</p>  <p>平头内六角螺丝M3*8 Flat Head Screws</p>	<p>26106</p>  <p>平头内六角螺丝M4*10 Flat Head Screws</p>	<p>26107</p>  <p>平头内六角螺丝M4*12 Flat Head Screws</p>
<p>26108</p>  <p>盘头内六角螺丝M2.5*14 Button Head Screws</p>	<p>26109</p>  <p>盘头内六角螺丝M3*6 Button Head Screws</p>	<p>26110</p>  <p>盘头内六角螺丝M3*8 Button Head Screws</p>	<p>26111</p>  <p>盘头内六角螺丝M3*10 Button Head Screws</p>

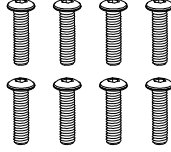
配件表 Parts List

26112



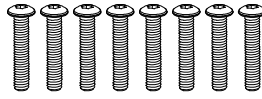
盘头内六角螺丝M3*12
Button Head Screws

26113



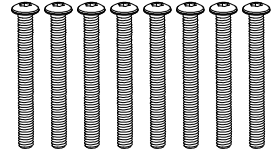
盘头内六角螺丝M3*14
Button Head Screws

26114



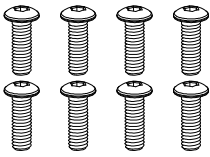
盘头内六角螺丝M3*20
Button Head Screws

26115



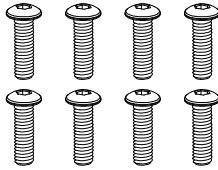
盘头内六角螺丝M3*38
Button Head Screws

26116



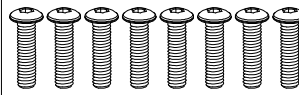
盘头内六角螺丝M4*12
Button Head Screws

26117



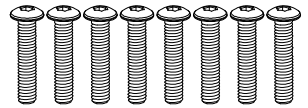
盘头内六角螺丝M4*14
Button Head Screws

26118



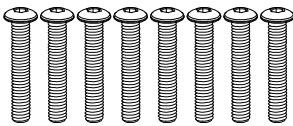
盘头内六角螺丝M4*18
Button Head Screws

26119



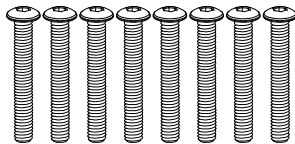
盘头内六角螺丝M4*25
Button Head Screws

26120



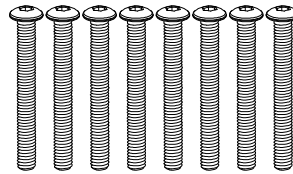
盘头内六角螺丝M4*30
Button Head Screws

26121



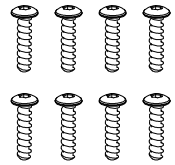
盘头内六角螺丝M4*35
Button Head Screws

26122



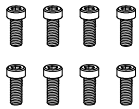
盘头内六角螺丝M4*40
Button Head Screws

26123



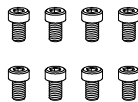
盘头内六角自攻牙螺丝ST3*12
Button head Self-tapping screws

26124



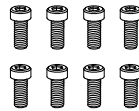
杯头内六角螺丝M2*6
Button Head Screws

26125



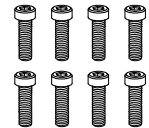
杯头内六角螺丝M2.5*4
Button Head Screws

26126



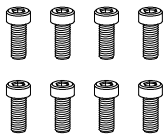
杯头内六角螺丝M2.5*6
Button Head Screws

26127



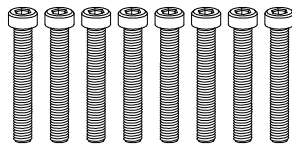
杯头内六角螺丝M2.5*10
Button Head Screws

26128



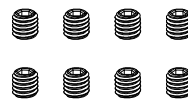
杯头内六角螺丝M3*8
Button Head Screws

26129



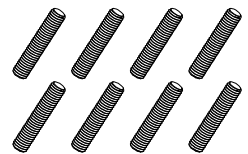
杯头内六角螺丝M4*35
Button Head Screws

26130



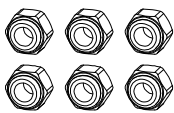
机米螺丝M5*5
Headless Screws

26131



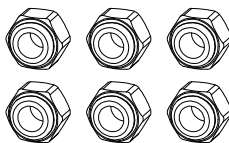
机米螺丝M5*25
Headless Screws

26132



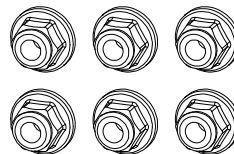
尼龙螺母M2.5
Nylon Nut

26133



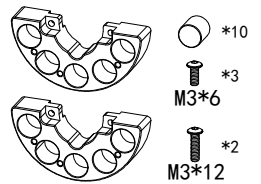
尼龙螺母M4
Nylon Nut

26134



法兰尼龙螺母M4
Nylon Nut

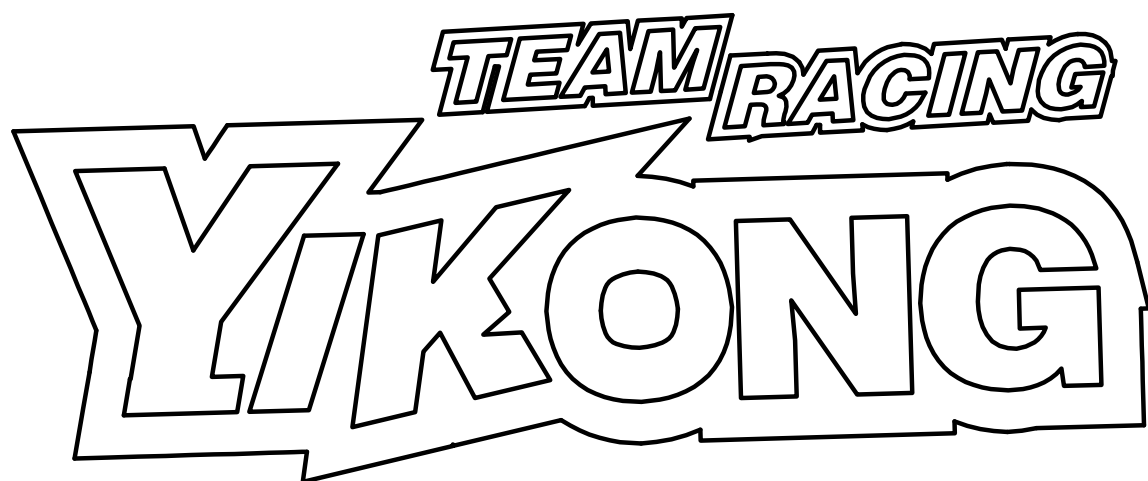
26135



配重块-前
Front Counterweight

配件表 Parts List

<p>26136</p>  <p>配重块-后 Rear Counterweight</p>	<p>26137</p>  <p>前桥管配重 Front Counterweight Pipe</p>	<p>26138</p>  <p>后桥管配重 Rear Counterweight Pipe</p>	<p>26139</p>  <p>前桥管 Front Portal Housing</p>
<p>26140</p>  <p>后桥管 Rear Portal Housing</p>	<p>26141</p>  <p>电池盒/开关罩 Battery Box/Switch Cover</p>	<p>26142</p>  <p>侧护板 Guard Board</p>	<p>26143</p>  <p>车棚前支撑 Front support of carport</p>
<p>26144</p>  <p>车棚中支撑 Support in the carport</p>	<p>26145</p>  <p>前防撞 Front Bumper</p>	<p>26146</p>  <p>车壳后固定座 Rear Body Fixed Seat</p>	<p>26147</p>  <p>车顶灯配件组 Roof-light sets</p>
<p>26148</p>  <p>车棚左/右 Cage Left/Right</p>	<p>26149</p>  <p>车棚中 Cage Center</p>	<p>26150</p>  <p>车棚后 Cage Rear</p>	<p>26151</p>  <p>车壳 Body sets</p>
<p>26152</p>  <p>驾驶舱 (PC黑色) Cockpit (PC Black)</p>	<p>26153</p>  <p>车壳组 Body Assembly</p>	<p>26154</p>  <p>盘头内六角螺丝M3*16 Button Head Screws</p>	<p>26155</p>  <p>盘头内六角螺丝M4*20 Button Head Screws</p>
<p>26156</p>  <p>杯头内六角螺丝M2*12 Button Head Screws</p>	<p>26157</p>  <p>轮毂轴盖 Wheel Hub Cover</p>	<p>26999</p>  <p>车壳改装套件 Body Retrofit Kit</p>	<p>26158</p>  <p>车壳夹胶条 Body Clip and Rubber Leash</p>



Website: www.yikong.racing